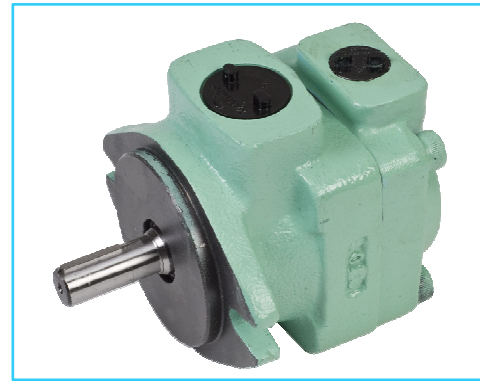
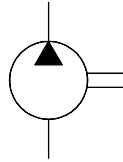


■ PVR1T Series Single Vane Pumps

These Pumps are widely used as a source of hydraulic power. They combine stable performance and robust construction with a wide range of delivery rates.

Graphic Symbol



■ Specifications

Model Number	Geometric Displacement cm ³ /rev.	Max. Opr. Pressure Kg/cm ²	Output Flow and Input Power	Shaft Speed Range r/min.		Mass (Approx.) Kg.	
				Max.	Min.	Flange Mounting	Foot Mounting
PVR1T - 4	4.0	125	Refer to Page 4 & 5	1800	750	5.8	7.5
PVR1T - 6	5.6						
PVR1T - 8	7.8						
PVR1T - 10	9.5						
PVR1T - 12	12.0						
PVR1T - 15	14.6						
PVR1T - 17	16.0						
PVR1T - 31	25.8					6.2	8.0

■ Model Number Designation

F	- PVR1T	- 4	- L	- R	A	-20	80
Special Seals	Series	Nominal Displacement	Mounting	Direction of Rotation As Viewed From Shaft End	Discharge	Design * Number	Design Standard
F: For Phosphate Ester Type Fluids (Omit if not required)	PVR1T	4, 6, 8, 10, 12, 15, 17	L: Foot Type F: Flange Type	R: Clock wise (Normal) L: Counter Clockwise	(See Drawing) A : Normal (Upwards) B : Bottom R : Right L : Left	20	80
		31					80H10

* Design numbers subject to change from 20 to 29, but installation dimensions remain as shown.

* For instructions regarding changing the port positions, consult YUKEN INDIA LTD.

■ Cartridge Kit Model Number

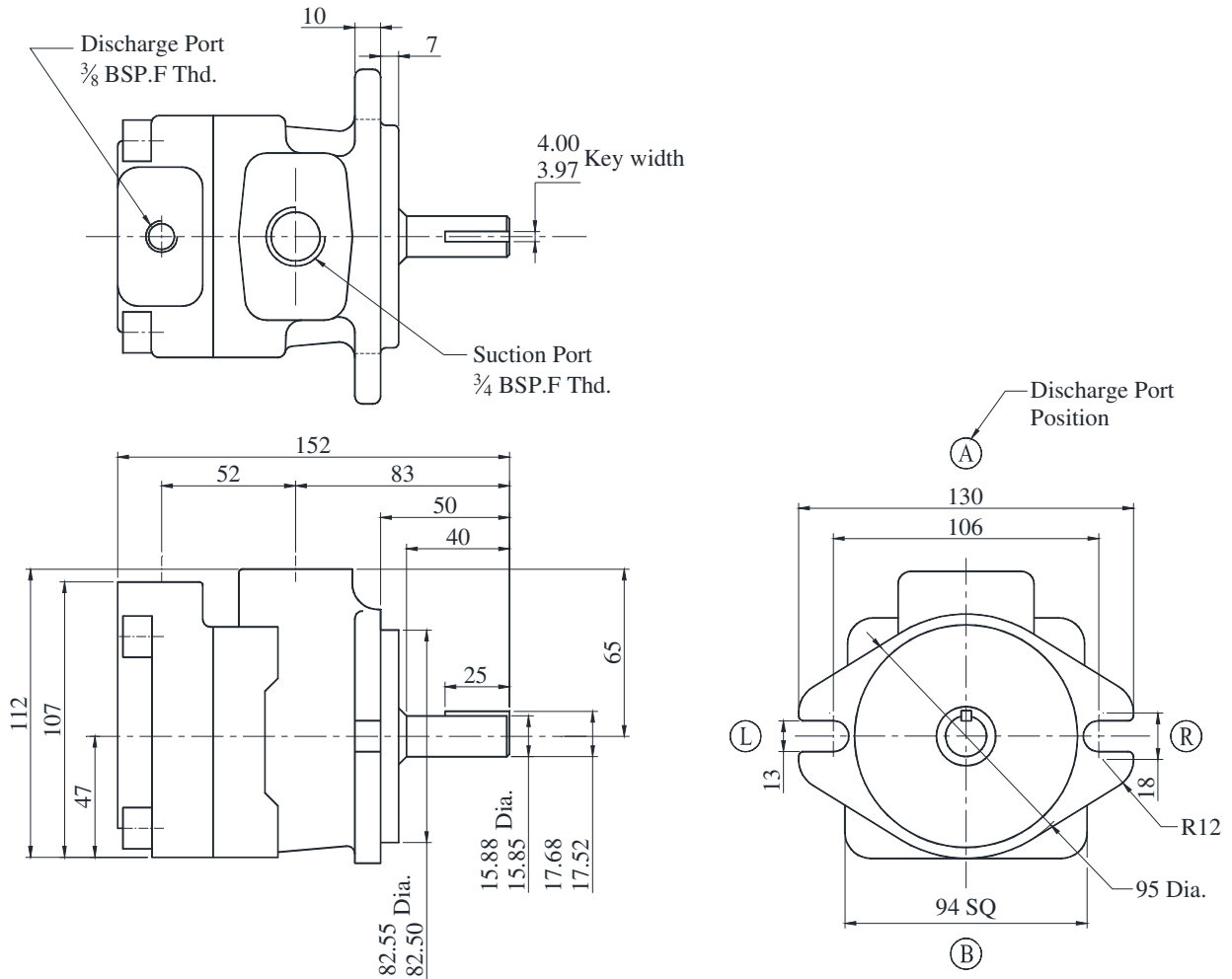
CPVR1T	-4	-R	-20
Model Number	Nominal Displacement	Shaft Rotation	Design No.
CPVR1T	4	R: Clockwise (Normal)	20
	6		
	8		
	10		
	12	L: Counter-Clockwise	
	15		
	17		
	31		

* For instructions regarding replacing cartridge kit, consult YUKEN INDIA LTD.

PVR1T-※-F-※※-2080

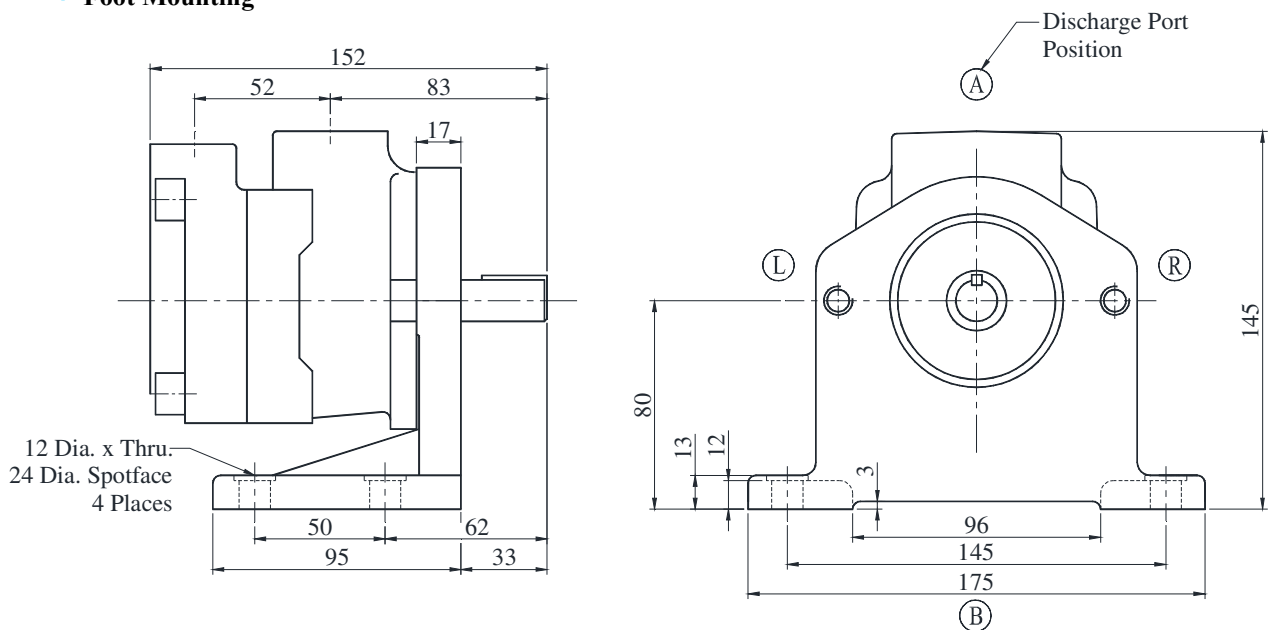
DIMENSIONS IN MILLIMETRES

● Flange Mounting



PVR1T-※-L-※※-2080

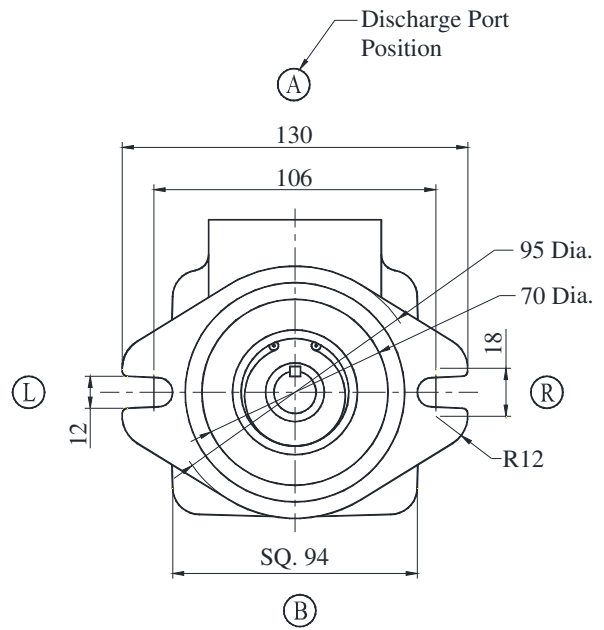
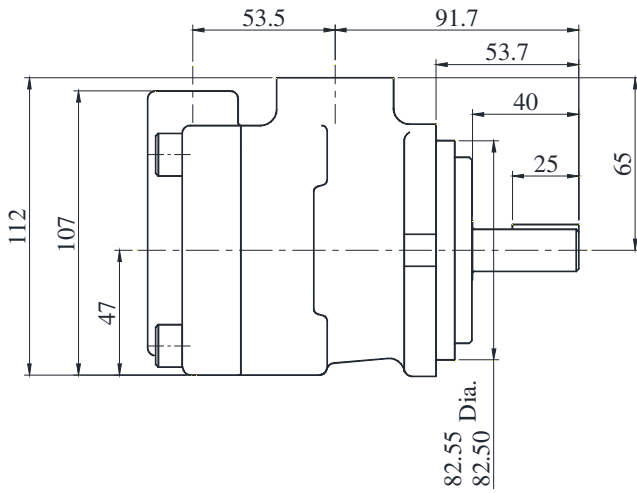
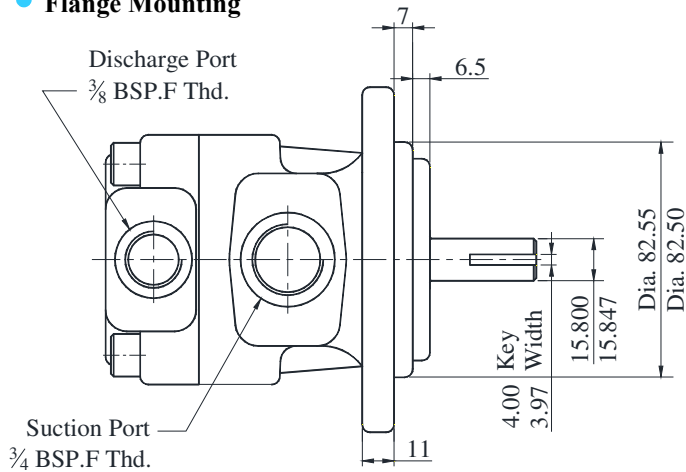
● Foot Mounting



PVR1T-31-F-※※-2080H10

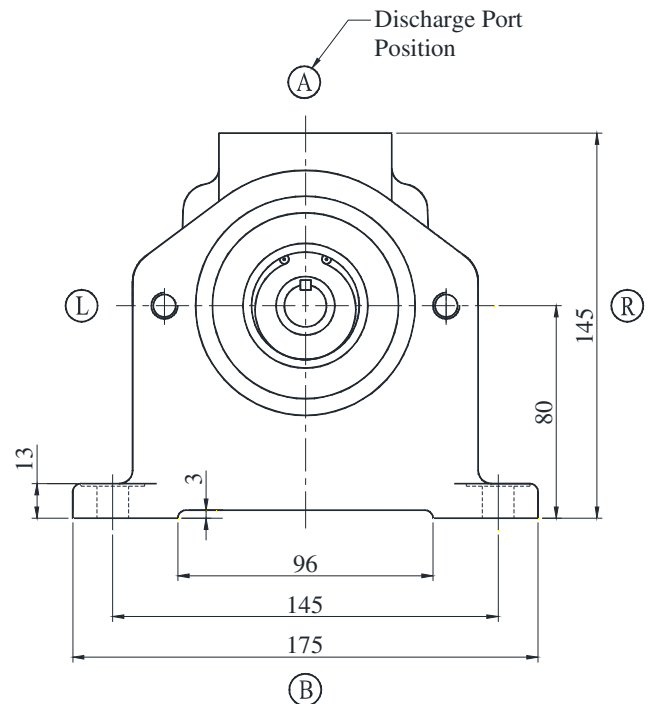
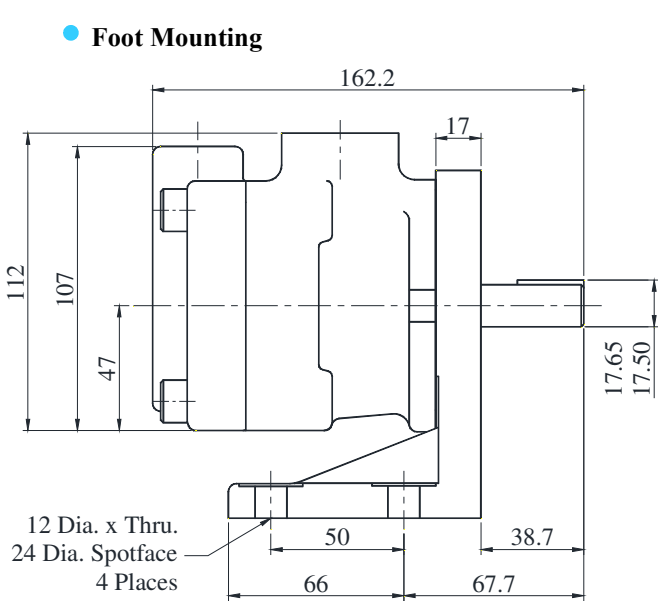
DIMENSIONS IN MILLIMETRES

● **Flange Mounting**



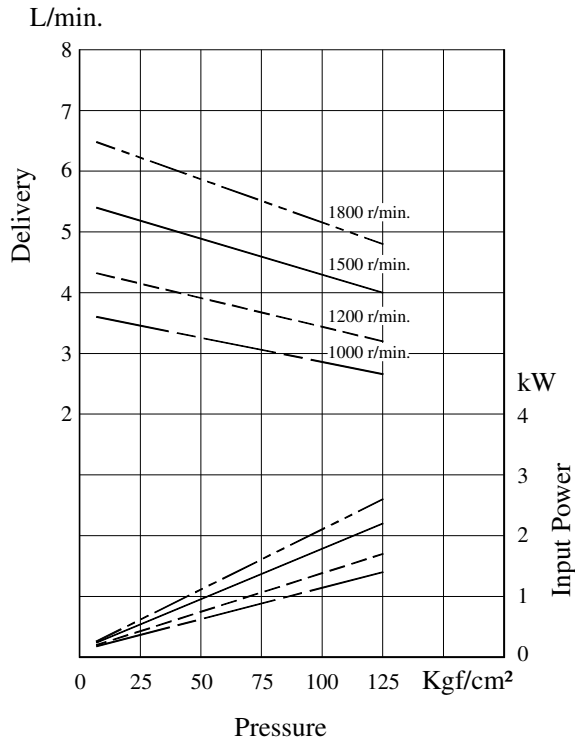
PVR1T-31-L-※※-2080H10

● **Foot Mounting**

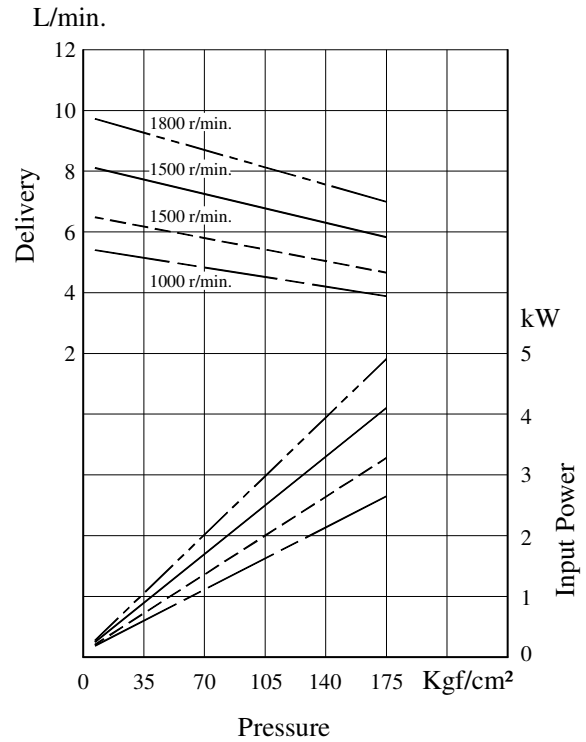


Typical Pump Characteristics Oil Viscosity 20 cSt [ISO VG 32, Temp 50⁰ C]

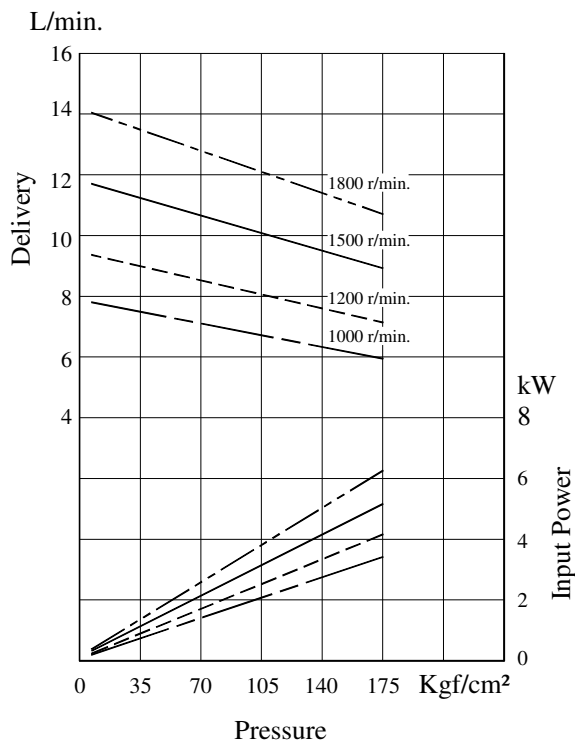
● **PVR1T - 4**



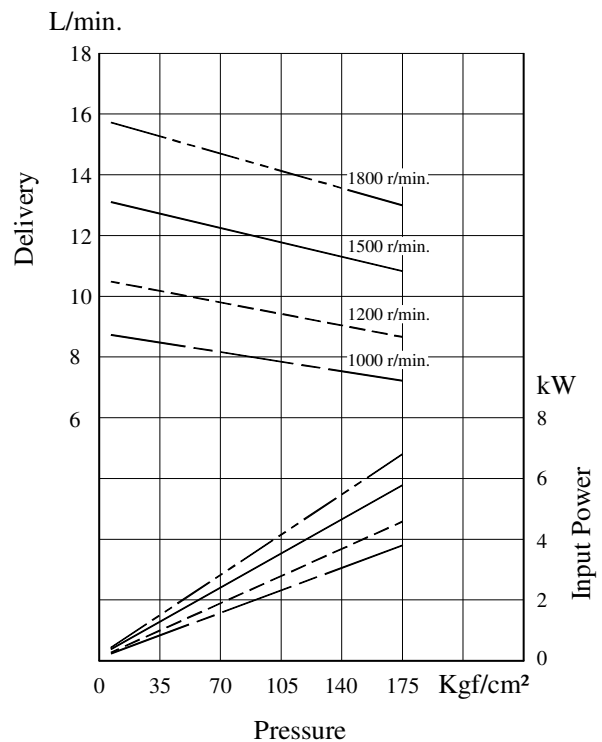
● **PVR1T - 6**



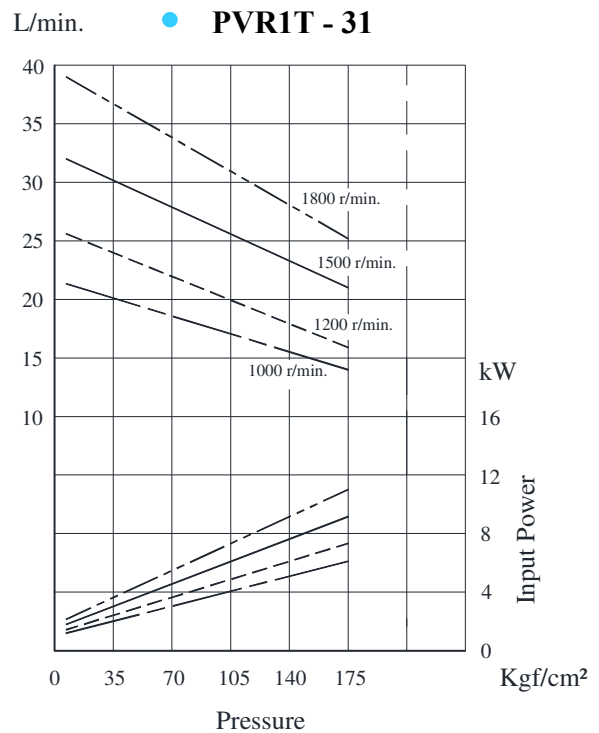
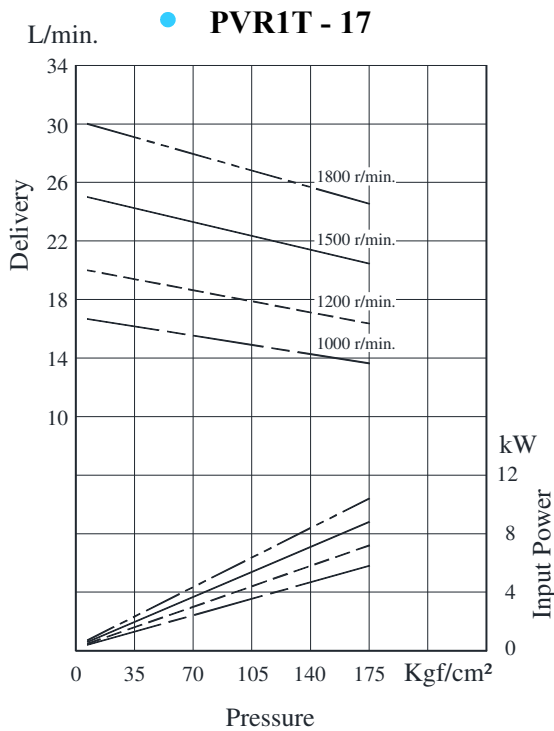
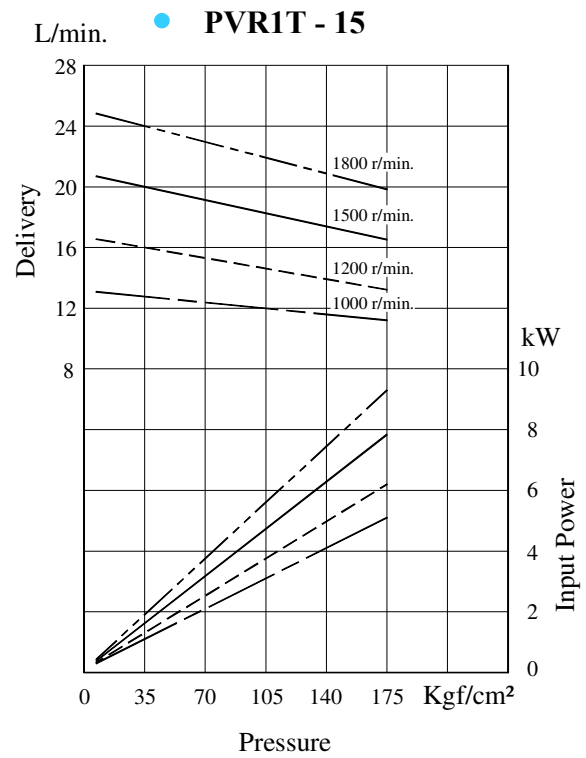
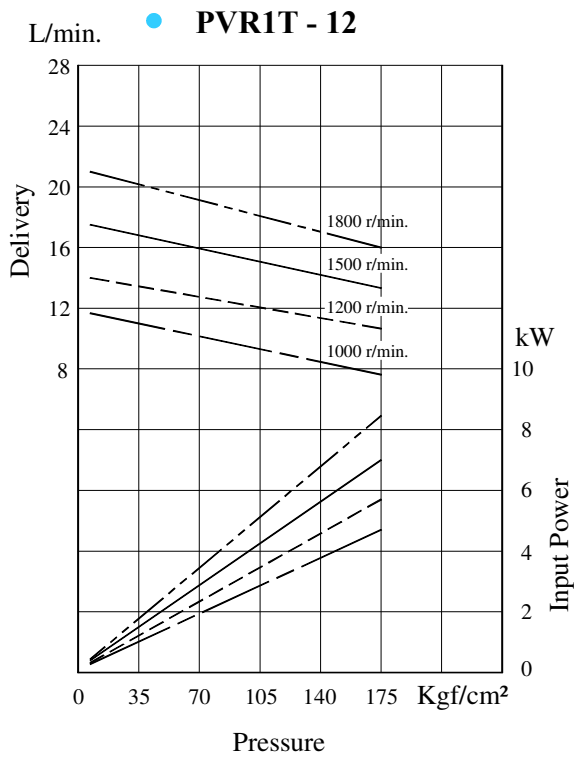
● **PVR1T - 8**



● **PVR1T - 10**



Typical Pump Characteristics Oil Viscosity 20 cSt [ISO VG 32, Temp 50⁰ C]



Spare Parts List

● List of Seals

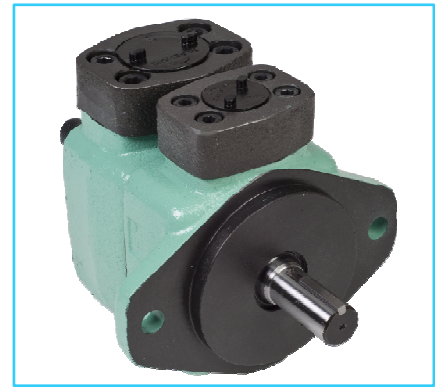
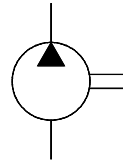
Sl. No.	Name of Parts	Part No.	Qty.
1.	O-Ring	SO-NB-G80	1
2.	O-Ring	SO-NB-G60	1
3.	O-Ring	SO-NB-G35	1
4.	Oil seal	ISD 20307	1

Note : When ordering the seals, please specify the seal kit number KS-PVR1T-2080.

PVR50 Series Single Vane Pumps

These pumps are widely used as a source of hydraulic power. They combine stable performance and robust construction with a wide range of delivery rates.

Graphic Symbol



Specifications

Model Number	Geometric Displacement cm ³ /rev.	Max. Opr. Pressure Kg/cm ²	Output Flow and Input Power	Shaft Speed Range r/min.		Mass (Approx.) Kg.	
				Max.	Min.	Flange Mounting	Foot Mounting
PVR50-13	10.0	175	Ref. Page 8, 9 & 10	2000	600	12	14.7
PVR50-20	15.0						
PVR50-26	21.0						
PVR50-30	24.5						
PVR50-36	29.5						
PVR50-39	31.5						
PVR50-45	39.0						
PVR50-51	43.0						
PVR50-56	47.5						

Model Number Designation

F-	PVR50	-L	-F	-13	-R	A	A	-31	80
Special Seals	Series Number	Type of Mounting	Type of Pipe Connection	Nominal Displacement	Direction of Rotation	Discharge Port Position	Suction Port Position	Design * Number	Design Standard
As Viewed From Shaft End									
F: For Phosphate Ester Type Fluids (Omit if not required)	PVR50	L: Foot Type F: Flange Type	F: Flange Connection T: Threaded	13 20 26 30 36 39 45 51 56	R: Clockwise (Normal) L: Counter Clockwise	(See Drawing) A: Normal (Upward) B: Bottom R: Right L: Left	(See Drawing) A: Normal (Upward) B: Bottom R: Right L: Left	31	80

* Design numbers subject to change from 30 to 39, but installation dimensions remain as shown.

* For instructions regarding changing the port positions, consult YUKEN INDIA LTD.

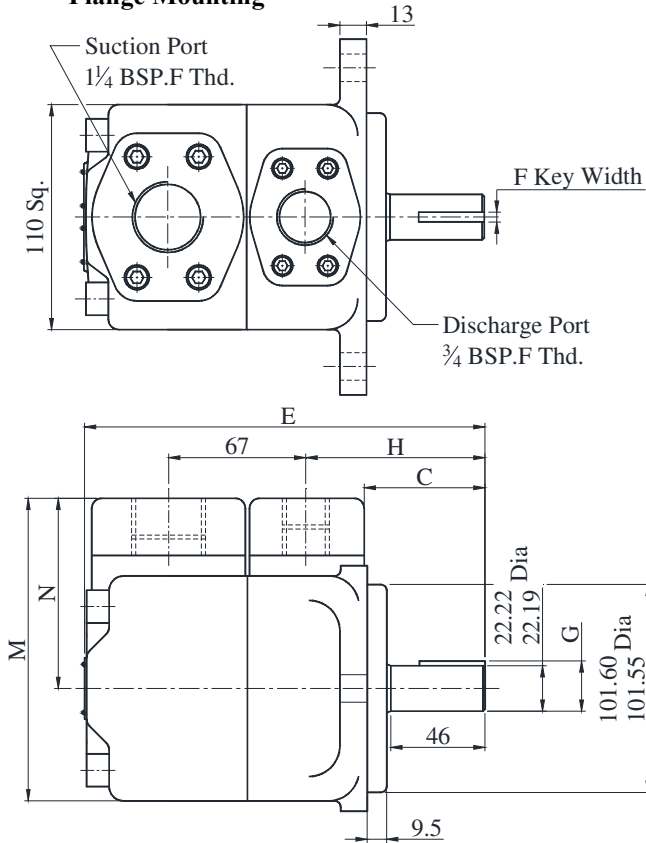
Cartridge Kit Model Number

CPVR50	-13	-R	-31
Model Number	Nominal Displacement	Shaft Rotation	Design No.
CPVR50	13	R: Clockwise (Normal)	31
	20		
	26		
	30		
	36	L: Counter-Clockwise	
	39		
	45		
	51		
56			

* For instructions regarding replacing cartridge kit, consult YUKEN INDIA LTD.

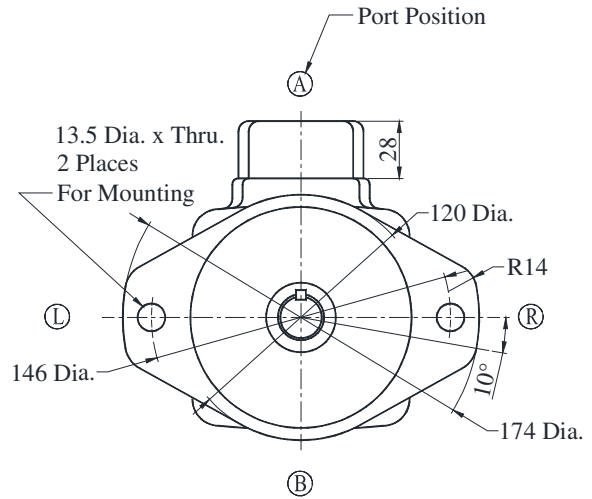
PVR50-F-※-※-※※※-3180

● **Flange Mounting**



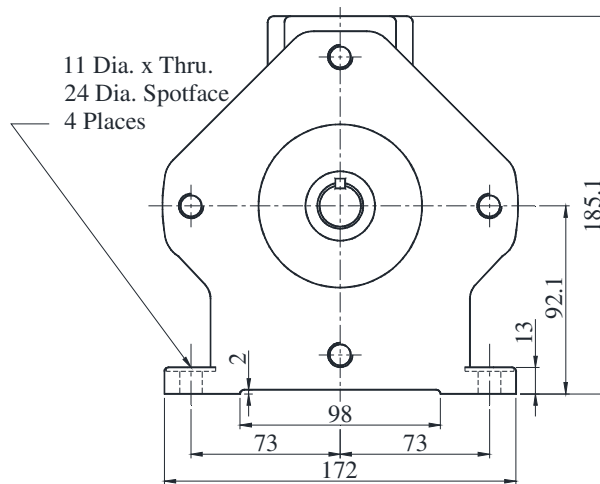
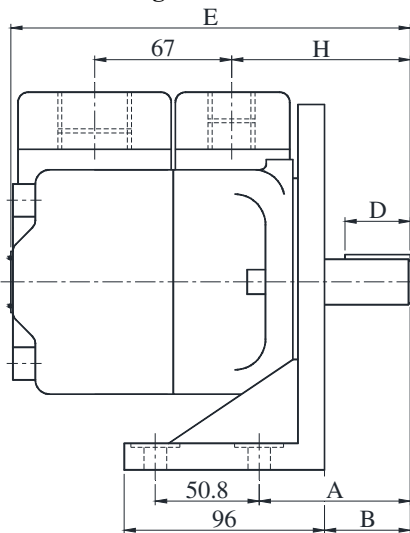
CAPACITY	A	B	C	D	E	F	G	H
13,20,26 29,30,36 39 & 45	74	42	59	32	197	4.76 4.79	24.50 24.33	87.5
51 & 56	86.4	54.4	71.4	38	209.4	6.38 6.35	24.92 24.77	100

Model	M	N
PVR50-※-F-	148	93
PVR50-※-T-	136	81



PVR50-L-※-※-※※※-3180

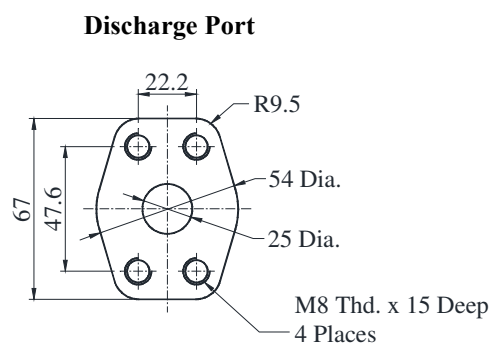
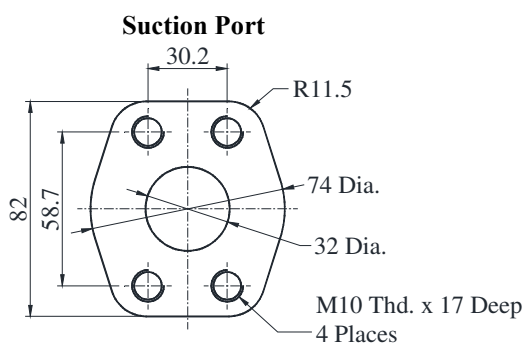
● **Foot Mounting**



DIMENSIONS IN MILLIMETRES

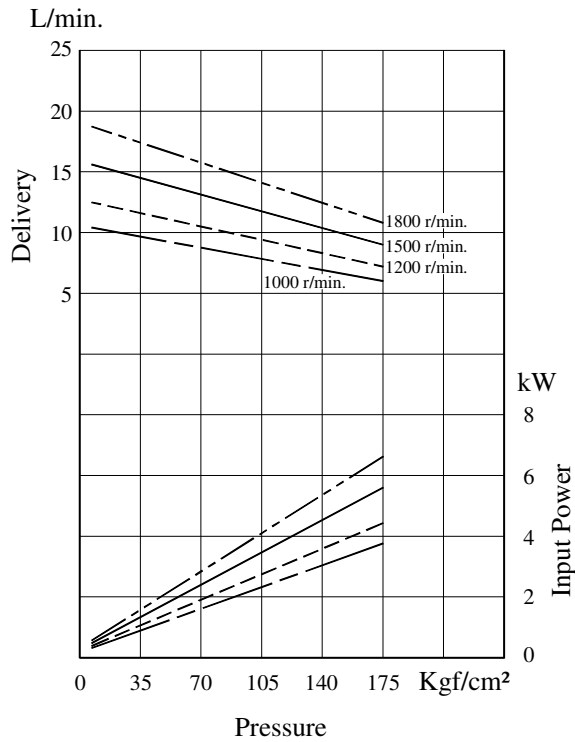
For Other Dimensions see Flange Mounting.

For Reference: Dimensions of Pipe Flange Mounting Surfaces

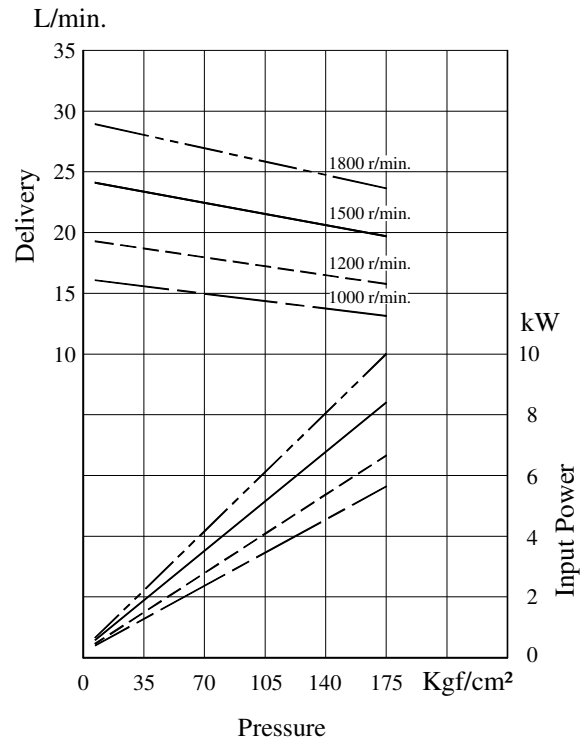


Typical Pump Characteristics Oil Viscosity 20 cSt [ISO VG 32, Temp 50⁰ C]

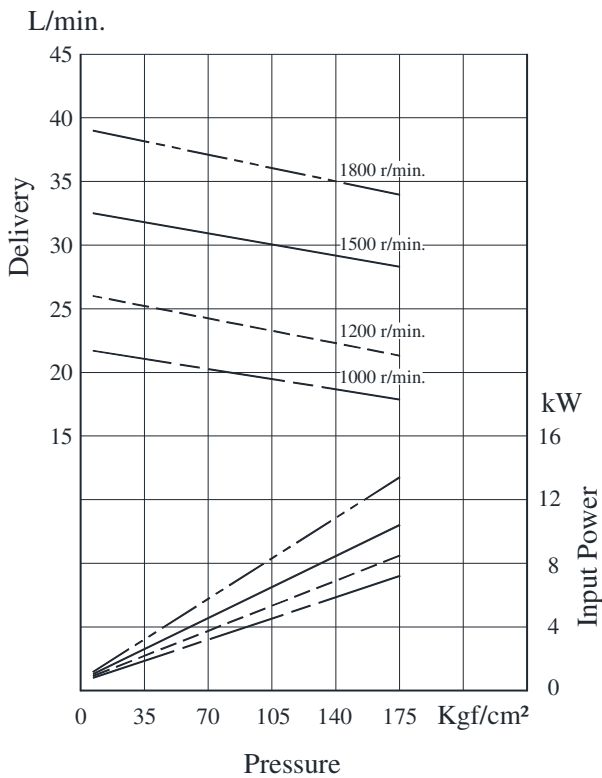
● **PVR50 - 13**



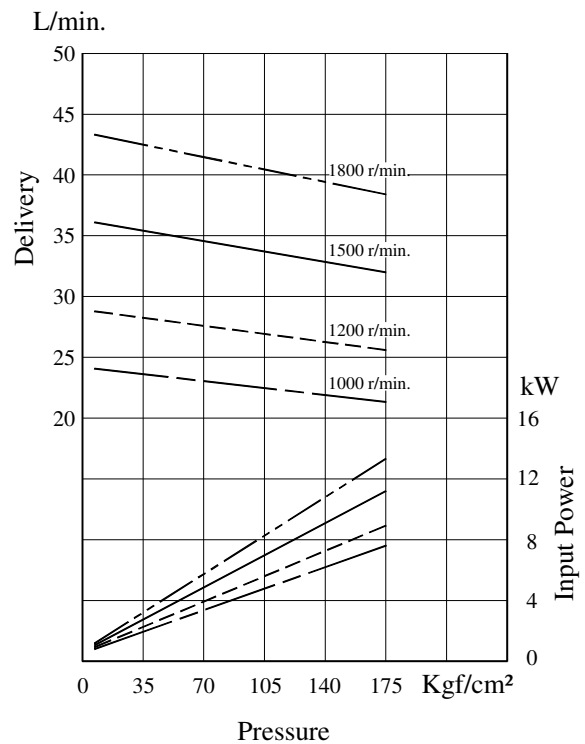
● **PVR50 - 20**



● **PVR50 - 26**

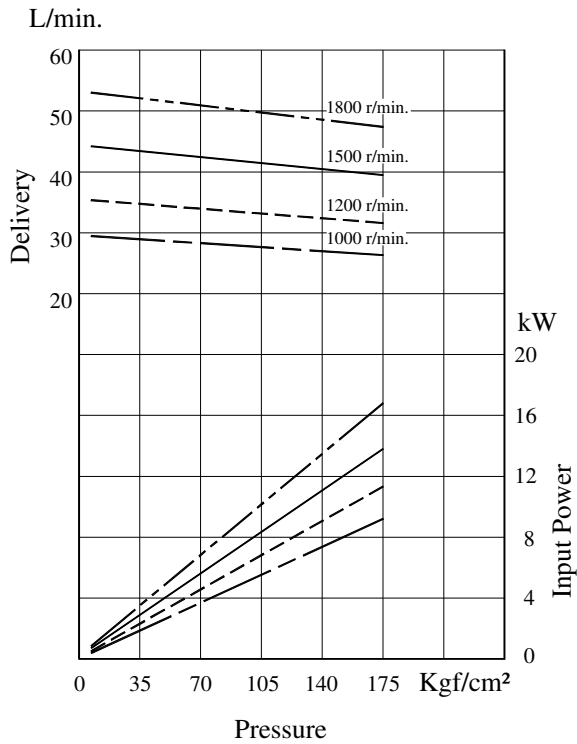


● **PVR50 - 30**

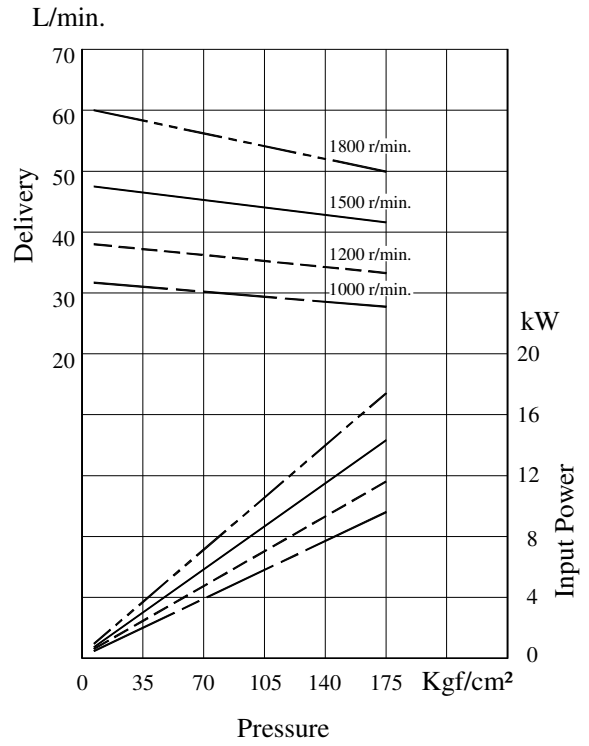


Typical Pump Characteristics Oil Viscosity 20 cSt [ISO VG 32, Temp 50° C]

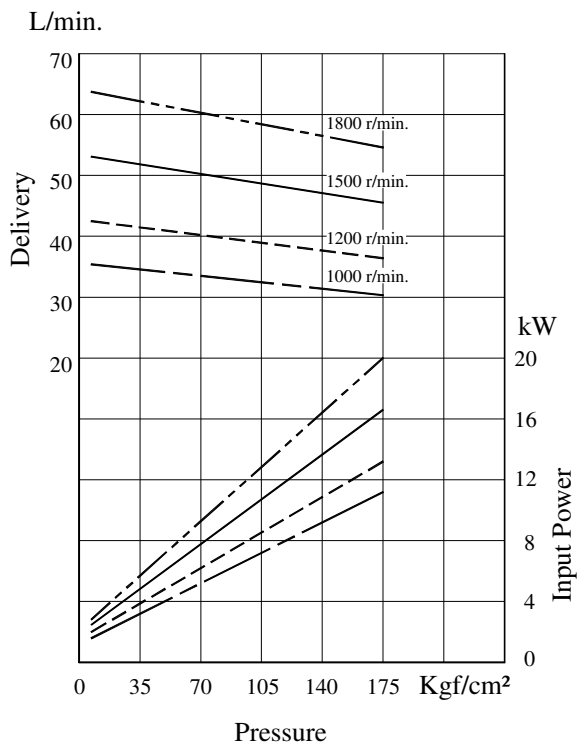
● **PVR50 - 36**



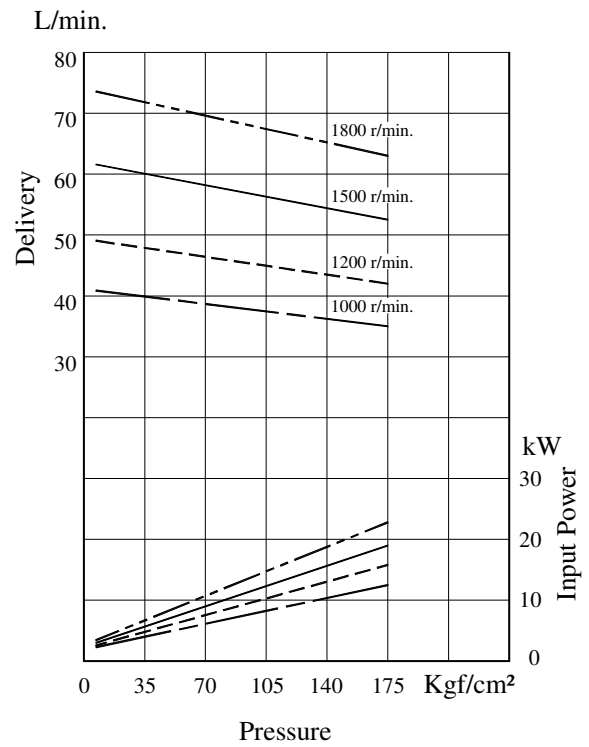
● **PVR50 - 39**



● **PVR50 - 45**

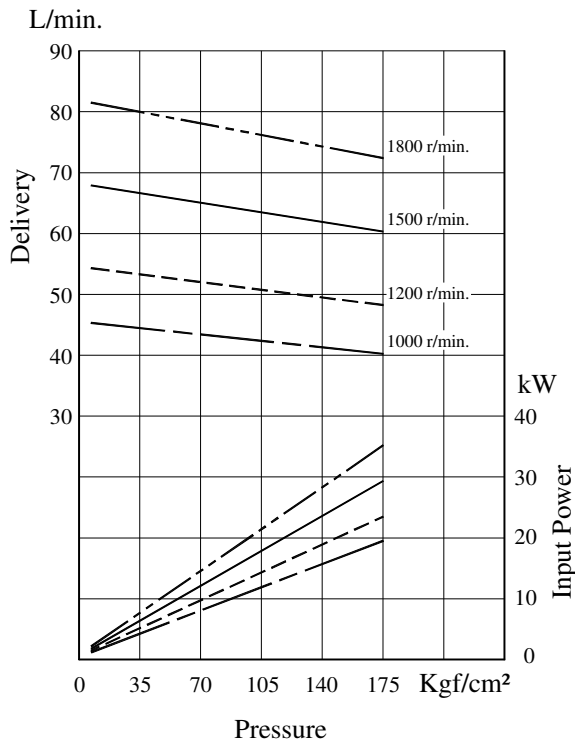


● **PVR50 - 51**



Typical Pump Characteristics Oil Viscosity 20 cSt [ISO VG 32, Temp 50⁰ C]

● **PVR50 - 56**



■ **Spare Parts List**

● **List of Seals**

Sl. No.	Name of Part	Part Number	Qty.
1.	O-Ring	SO-NA-G80	1
2.	O-Ring	SO-NA-P41	1
3.	O-Ring	SO-NB-G85	1
4.	O-Ring	SO-NB-G40	1
5.	O-Ring	SO-NB-G30	1
6.	Backup-Ring	SO-BB-G80	1
7.	Backup-Ring	SO-BB-P41	1
8.	Oil Seal	ISPD 25388	1

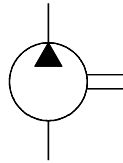
Note: When ordering the seals, please specify the seal kit number KS-PVR50-3180.

PVR 150-Series Single Vane Pumps

These pumps are widely used as a source of hydraulic power. They combine stable performance and robust construction with a wide range of delivery rates.



Graphic Symbol



Specifications

Model Number	Geometric Displacement cm ³ /rev.	Max. Opr. Pressure Kgf/cm ²	Output Flow and Input Power	Shaft Speed Range r/min.		Mass (Approx.) Kg.	
				Max.	Min.	Flange Mounting	Foot Mounting
PVR150 – 60	47	175	Refer Page 13 & 14	2000*	600	29.3	35.9
PVR150 – 70	57						
PVR150 – 90	75						
PVR150 – 110	88						
PVR150 – 140	115						
PVR150 – 170	135						

* For speeds above 1500 r/min., consult factory for information.

Model Number Designation

F-	PVR150	-L	-F	-60	-R	A	A	34	80
Special Seals	Series Number	Type of Mounting	Type of pipe Connection	Normal Displacement	Direction of Rotation	Discharge Port Position	Suction Port Position	Design *	Design Standard
As Viewed From Shaft End									
F: For Phosphate Ester Type Fluids (Omit if not required)	PVR150	L: Foot Type	F: Flange Connection	60	R: Clockwise (Normal)	(See Drawing)	(See Drawing)	34	80
		F: Flange Type		70		A : Normal (Upwards)	A : Normal (Upwards)		
				90		B : Bottom	B : Bottom		
				110		R : Right	R : Right		
				140		L : Left	L : Left		
				170					

* Design numbers subject to change from 30 to 39, but installation dimensions remain as shown.

* For instructions regarding changing the port positions, consult YUKEN INDIA LTD.

Cartridge Kit Model Number

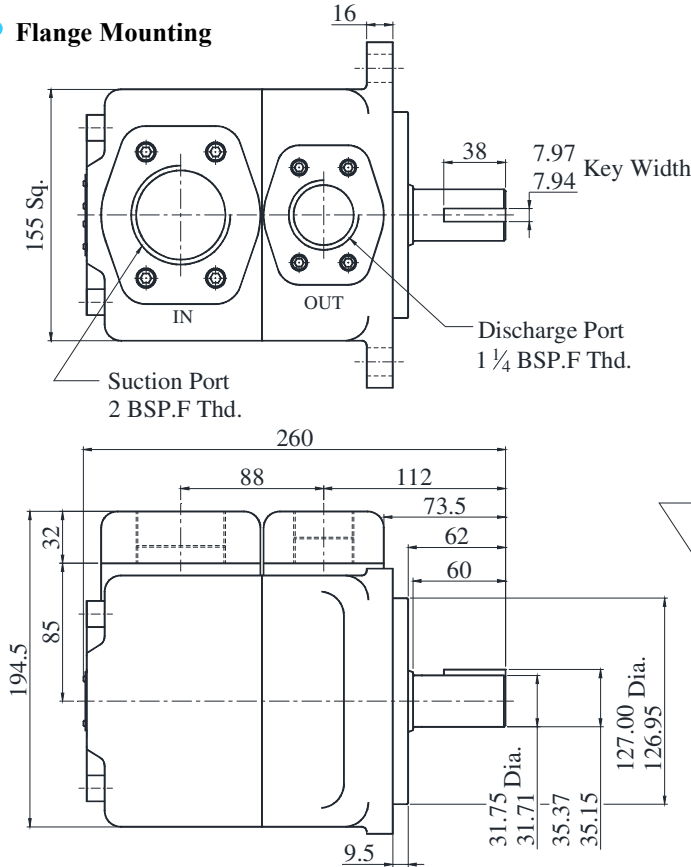
CPVR150	-60	-R	-33
Model Number	Nominal Displacement	Shaft Rotation	Design No.
CPVR150	60	R: Clockwise (Normal)	33
	70		
	90		
	110		
	140		
	170	L: Counter-Clockwise	

* For instructions regarding replacing cartridge kit, consult YUKEN INDIA LTD.

PVR150-F-F-※-※※※-3480

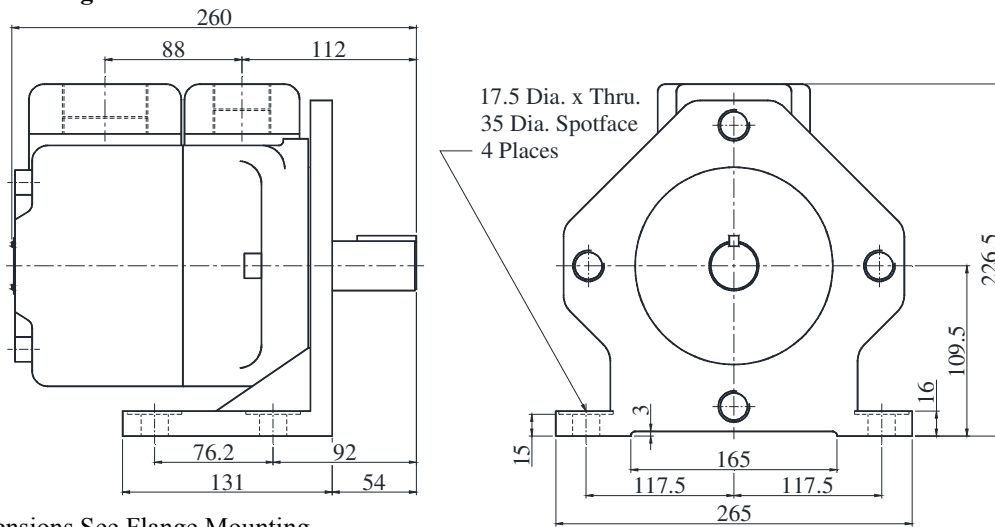
DIMENSIONS IN MILLIMETRES

● **Flange Mounting**



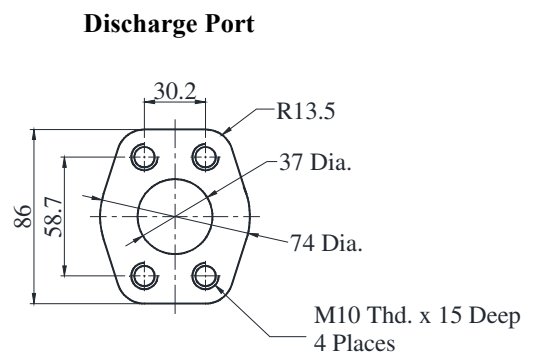
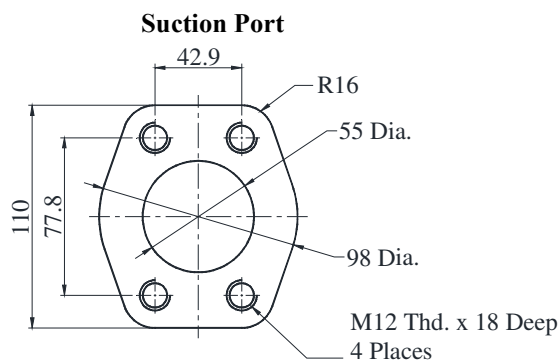
PVR150-L-F-※-※※※-3480

● **Foot Mounting**



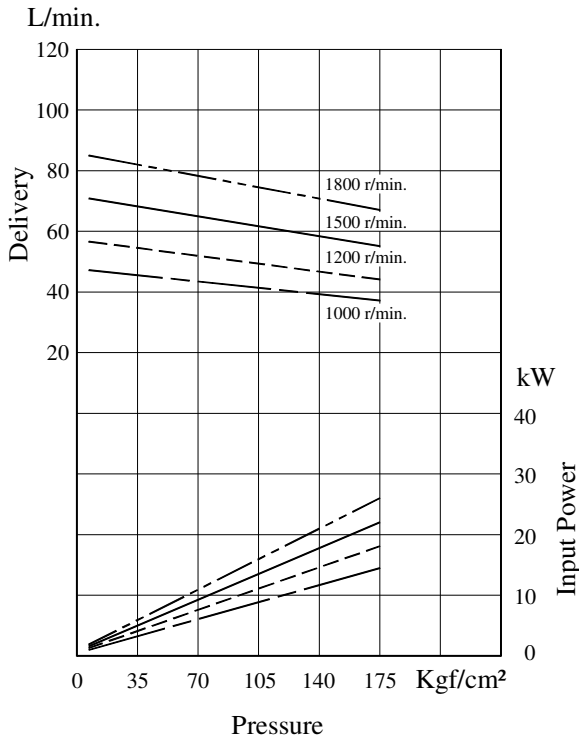
For other Dimensions See Flange Mounting

For Reference : Dimensions of Pipe Flange Mounting Surfaces

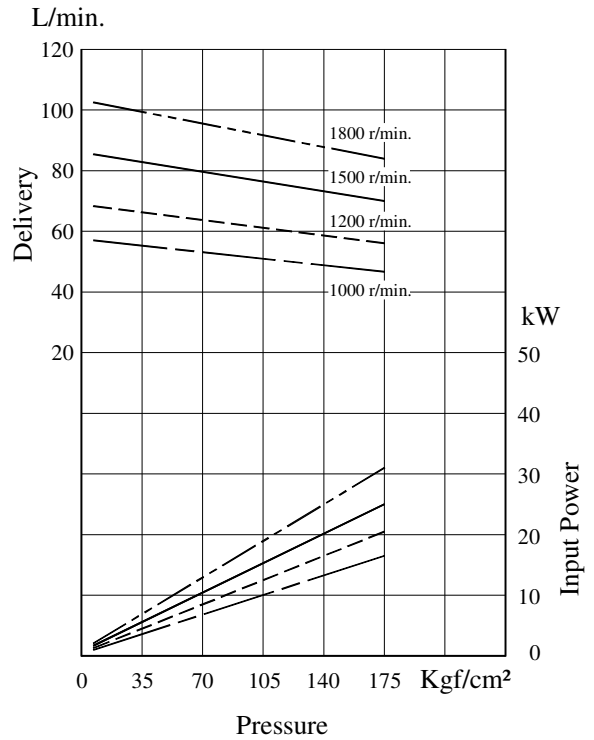


Typical Pump Characteristics Oil Viscosity 20 cSt [ISO VG 32, Temp 50⁰ C]

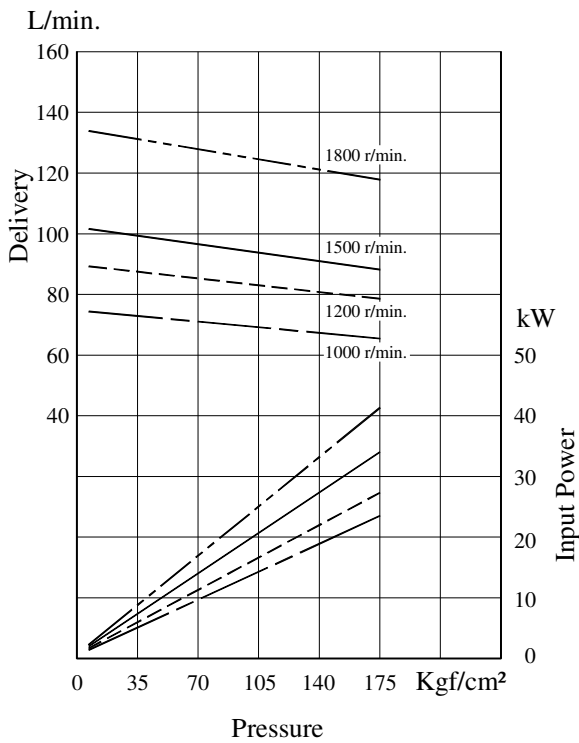
● **PVR 150 - 60**



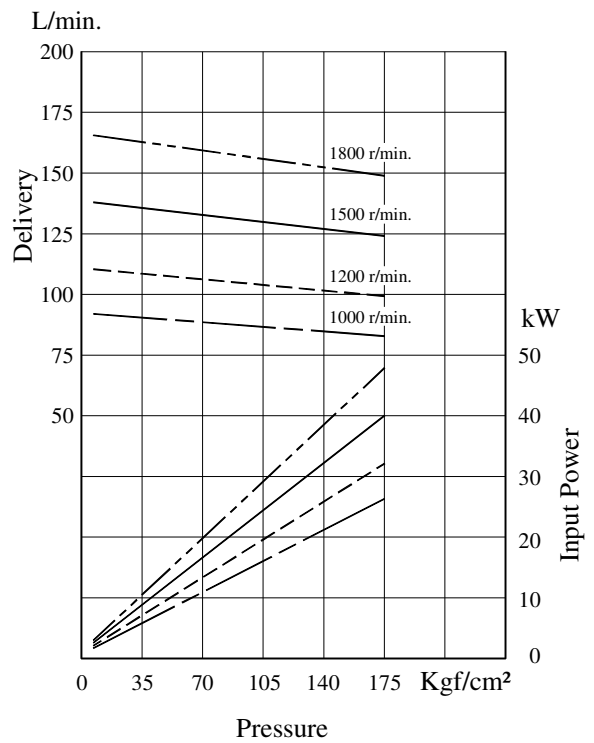
● **PVR 150 - 70**



● **PVR 150 - 90**

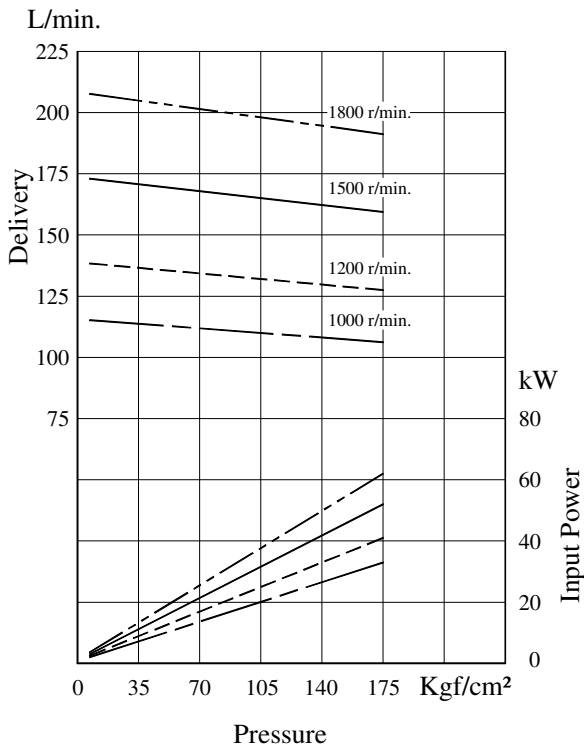


● **PVR 150 - 110**

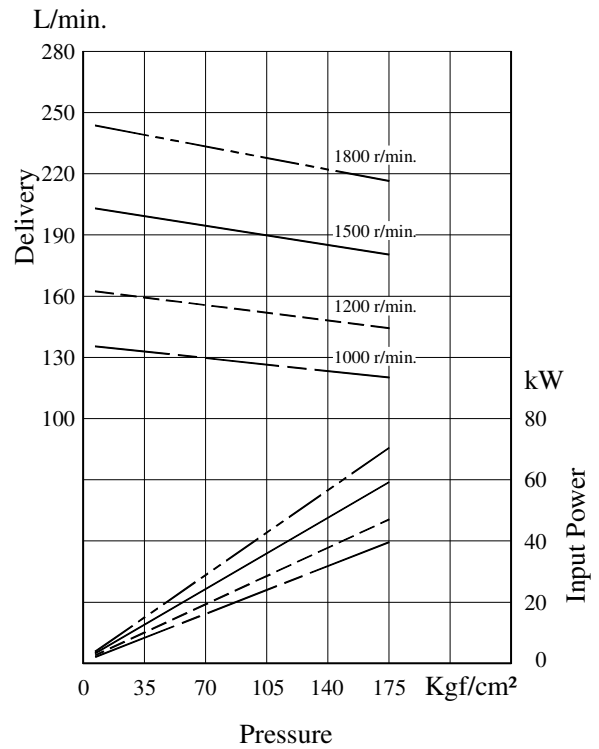


Typical Pump Characteristics Oil Viscosity 20 cSt [ISO VG 32, Temp 50⁰ C]

● **PVR 150 - 140**



● **PVR 150 - 170**



■ **Spare Parts List**

● **List of Seals**

Sl. No.	Name of Part	Part number	Qty.
1	O-Ring	SO-NA-G120Y	1
2	O-Ring	SO-NB-G40	1
3	O-Ring	SO-NB-G65	1
4	O-Ring	ARP568231	1
5	O-Ring	SO-NB-G125	1
6	Backup-Ring	JISW1516-G9	1
7	Backup-Ring	SO-BB-G120	1
8	Oil Seal	TC38558-7	1

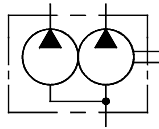
Note: When ordering the seals, please specify the seal kit number KS-PVR150-3480.

■ PVR 1050 Series Double Vane Pumps

These double pumps consist of one PVR1T and one PVR50 series single pumps combined in tandem within a single housing and driven by a common shaft. Fluid delivered from the two separate ports can be either supplied to separate or common circuits.



Graphic symbol



■ Specifications

Model Number	Small Volume Pump Geometric Displacement cm ³ /rev.	Large Volume Pump Geometric Displacement cm ³ /rev.	Max. Opr. Pressure Kgf/cm ²	Output Flow and Input Power	Shaft Speed Range r/min.		Mass (Approx) Kg.	
					Max.	Min.	Flange Mounting	Foot Mounting
PVR1050	Refer Specification in page No. 1	Refer Specification in Page No. 6	175	Refer Page 4, 5, 8, 9 and 10	2000	600	17.7	20.5

■ Model Number Designation

F-	PVR1050	-L	-F	-4	-39	-R	E	A	A	-11	80
Special Seals	Series Number	Mounting	Type of Pipe Connection	Small Volume Pump Nominal Displacement	Large Volume Pump Nominal Displacement	Direction of Rotation	Small Volume Pump Discharge Position	Large Volume Pump Discharge Position	Suction Port Position	Design * No.	Design Std
							As viewed from shaft end				
F: For Phosphate Ester Type Fluids. (omit if not required)	PVR1050	L: Foot Mounting F: Flange Mounting	F: Flange Connection	4, 6 8, 10 12, 15 17	13, 20 26, 30 36, 39 45, 51	R: Clockwise (Normal) L: Anticlockwise				11	80

* Design numbers subject to change from 10 to 19, but installation dimensions remain as shown.
* For instructions regarding changing the port positions, consult YUKEN INDIA LTD.

■ Cartridge Kit Model Number

● Large Volume Pump

CPVR1050	-13	-R	-10
Model Number	Nominal Displacement	Shaft Rotation	Design No.
CPVR1050	13	R: Clockwise (Normal)	10
	20		
	26		
	30	L: Counter-Clockwise	
	36		
	39		
	45		
51			

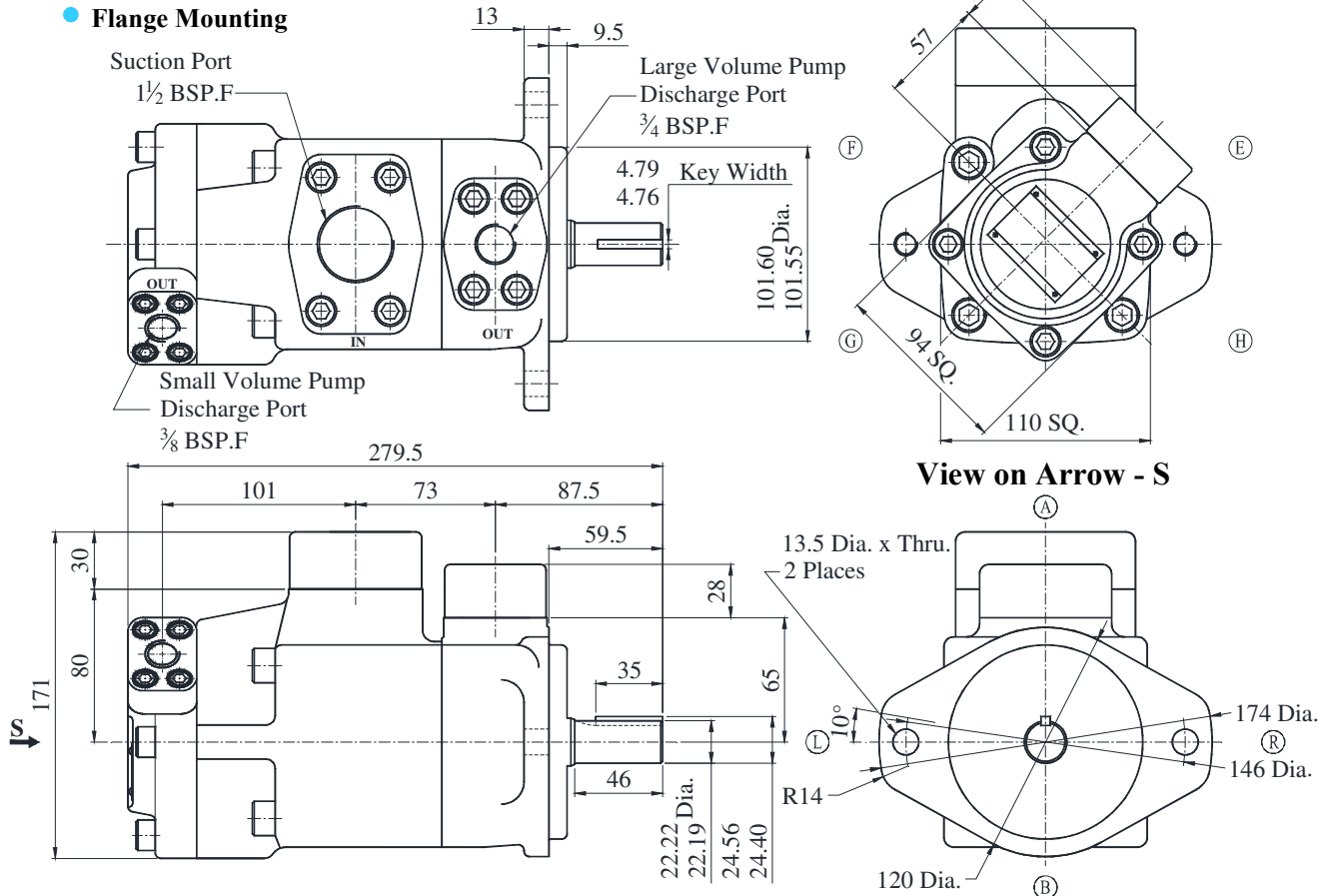
● Small Volume Pump

CPVR1T	-4	-R	-20
Model Number	Nominal Displacement	Shaft Rotation	Design No.
CPVR1T	4	R: Clockwise (Normal)	20
	6		
	8		
	10	L: Counter-Clockwise	
	12		
	15		
	17		

* For instructions regarding replacing cartridge kit, consult YUKEN INDIA LTD.

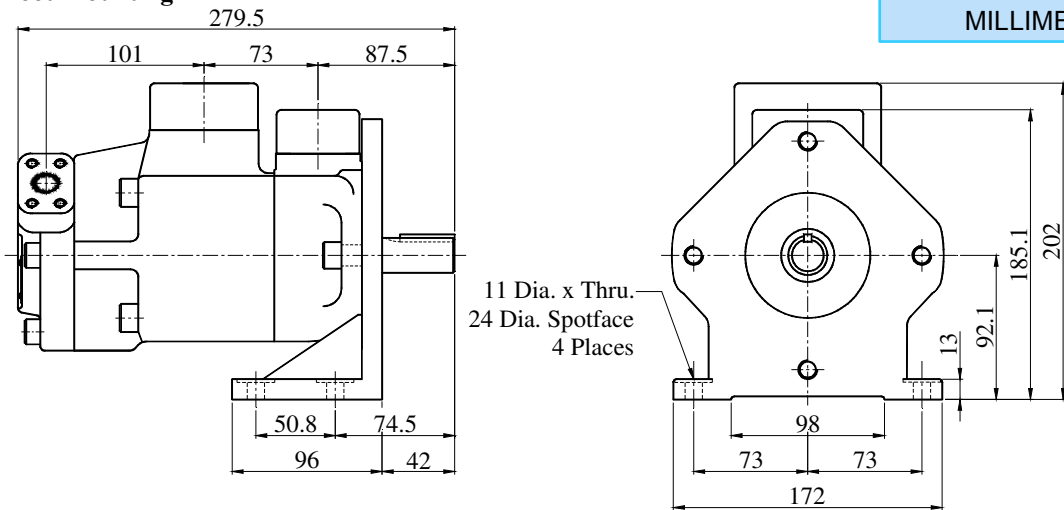
PVR1050-F-F--**-**-**-1180**

● **Flange Mounting**



PVR1050-L-F--**-**-**-1180**

● **Foot Mounting**



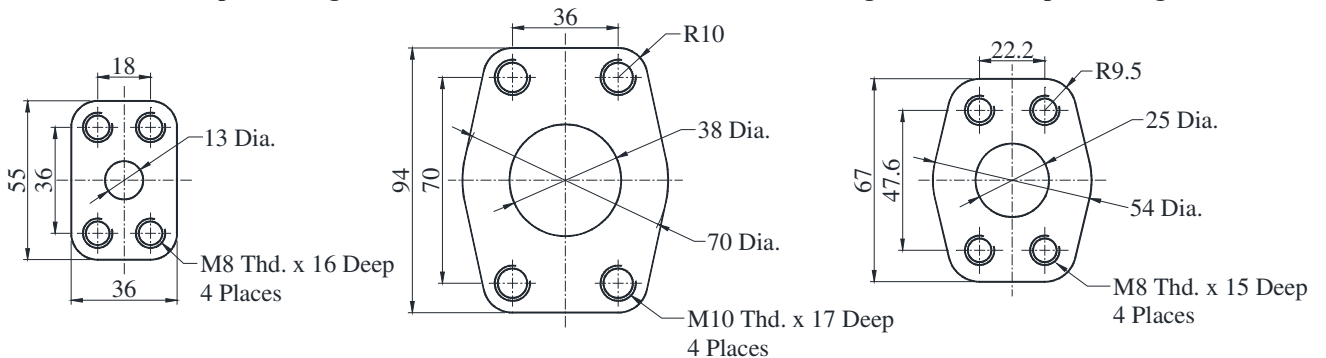
DIMENSIONS IN MILLIMETRES

For Reference: Dimensions of Pipe Flange Mounting Surfaces

Small Volume Pump Discharge Port

Suction Port

Large Volume Pump Discharge Port



“PVR” Series Double Vane Pumps

■ Spare Parts List

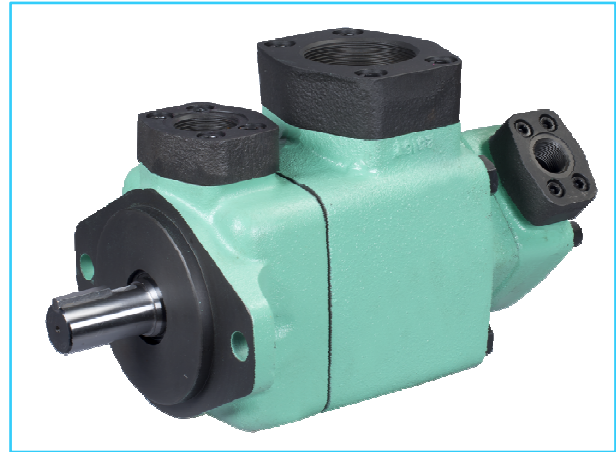
● List of Seals

Sl. No.	Name of Part	Part number	Qty.
1	O-Ring	SO-NB-G35	1
2	O-Ring	SO-NA-P41	1
3	O-Ring	SO-NB-G60	1
4	O-Ring	SO-NA-G80	1
5	O-Ring	SO-NB-G80	1
6	O-Ring	SO-NB-G85	1
7	Oil Seal	ISPD 25388	1

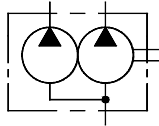
Note: When ordering the seals, please specify the seal kit number KS-PVR1050-1180.

■ PVR 50150 Series Double Vane Pumps

These double pumps consist of one PVR 50 and one PVR 150 series single pumps combined in tandem within a single housing and driven by a common shaft. Fluid delivered from the two separate ports can be either supplied to separate or common circuits. These pumps are used in mobile application.



Graphic symbol



■ Specifications

Model Number	Small Volume Pump Geometric Displacement cm ³ /rev.	Large Volume Pump Geometric Displacement cm ³ /rev.	Max. Opr. Pressure Kgf/cm ²	Output Flow and Input Power	Shaft Speed Range r/min		Mass (Approx) Kg.	
					Max.	Min.	Flange Mounting	Foot Mounting
PVR50150	Refer Specification in Page No. 6	Refer Specification in Page No. 11	175	Refer Page 8, 9, 10, 13 & 14	2000*	600	42.5	49

* For speeds above 1500 r/min. consult factory for information.

■ Model Number Designation

PVR50150	-L	-F	-13	-60	-R	E	A	A	-15	80
Series Number	Mounting	Type of Pipe Connection	Small Volume Pump Nominal Displacement	Large Volume Pump Nominal Displacement	Direction of Rotation	Small Volume Pump Discharge Position	Large Volume Pump Discharge Position	Suction Port Position	Design No.	Design Std
PVR50150	L: Foot Mounting F: Flange Mounting	F: Flange Attachment	13, 20 26, 30 36, 39 45, 51, 56	60, 70 90, 110 140, 170	R: Clockwise (Normal) L: Anticlockwise				15	80

* Design numbers subject to change from 10 to 19, but installation dimensions remain as shown.

* For instructions regarding changing the port positions, consult YUKEN INDIA LTD.

■ Cartridge Kit Model Number

● Large Volume Pump

CPVR150	-60	-R	-33
Model Number	Nominal Displacement	Shaft Rotation	Design No.
CPVR150	60 70 90 110 140 170	R: Clockwise (Normal) L: Counter-Clockwise	33

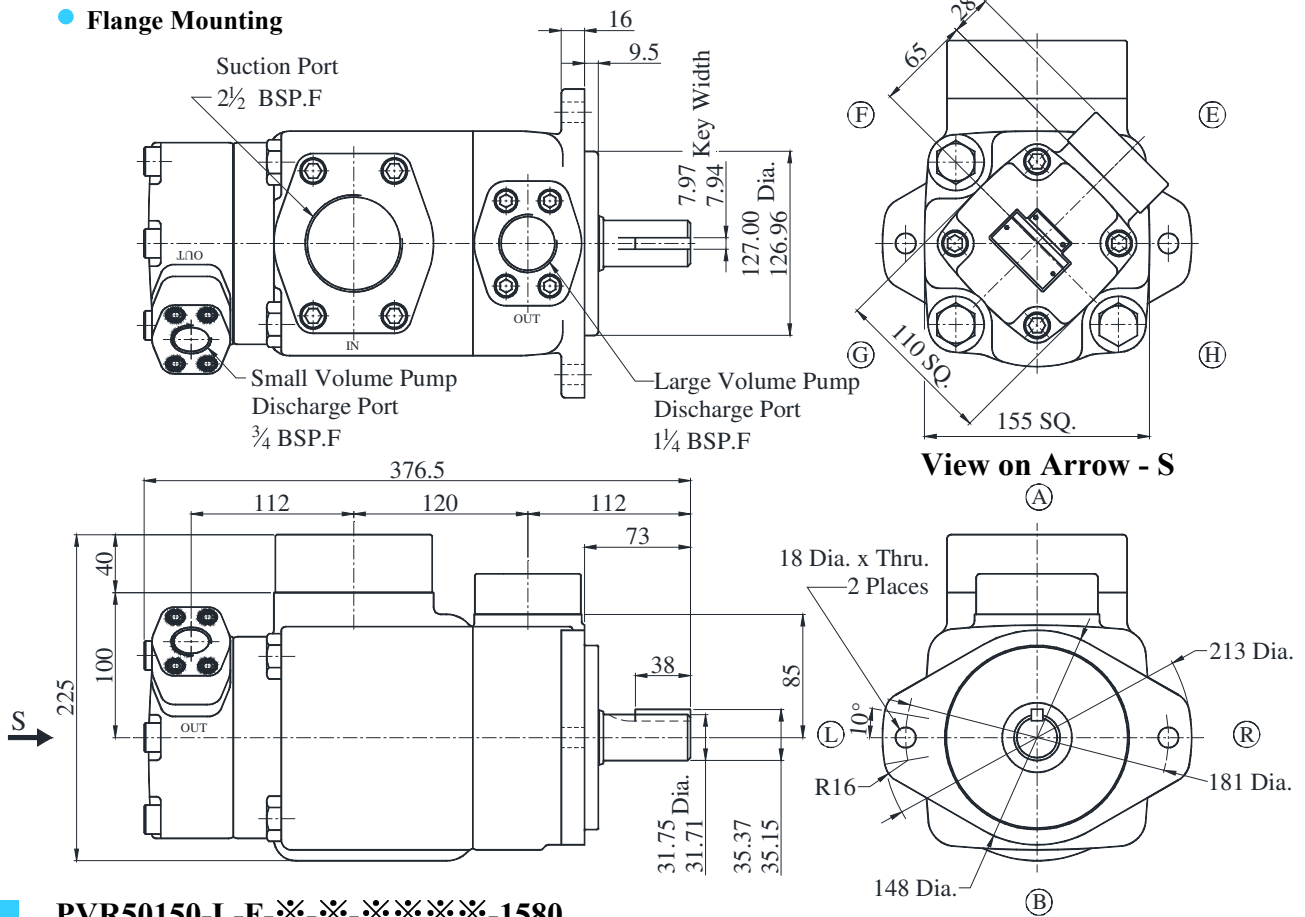
● Small Volume Pump

CPVR50150	-13	-R	-14
Model Number	Nominal Displacement	Shaft Rotation	Design No.
CPVR50150	13 20 26 30 36 39 45 51	R: Clockwise (Normal) L: Counter-Clockwise	14

* For instructions regarding replacing cartridge kit, consult YUKEN INDIA LTD.

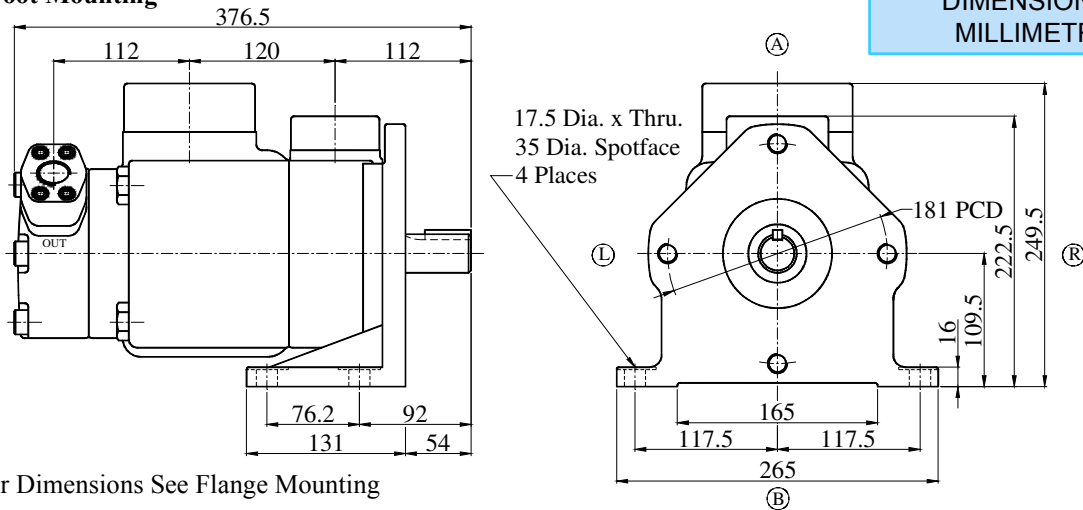
PVR50150-F-F-※-※-※※※※※-1580

● **Flange Mounting**



PVR50150-L-F-※-※-※※※※※-1580

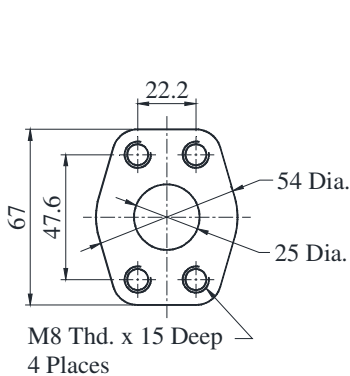
● **Foot Mounting**



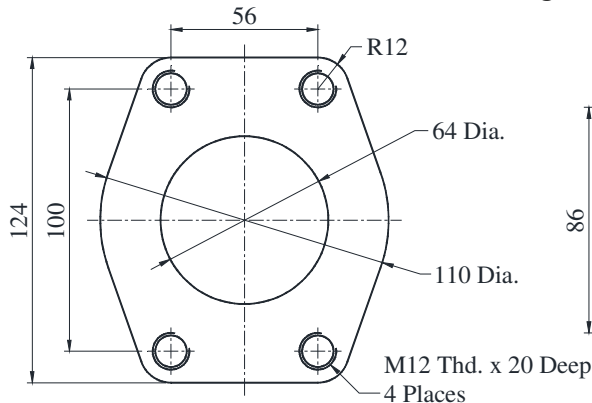
For Other Dimensions See Flange Mounting

For Reference: Dimensions of Pipe Flange Mounting Surfaces

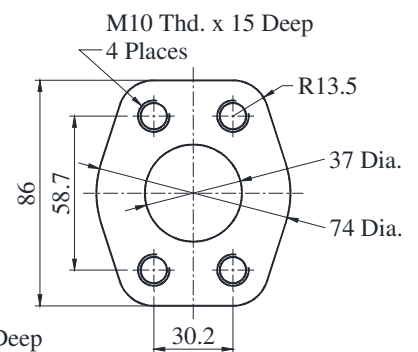
Small Volume Pump Discharge Port



Suction Port



Large Volume Pump Discharge Port



■ Spare Parts List

● List of Seals

Sl. No.	Name of Part	Part number	Qty.
1	O-Ring	ARP 568-231	1
2	O-Ring	SO-NA-P41	1
3	O-Ring	SO-NA-G80	1
4	O-Ring	SO-NB-G85	1
5	O-Ring	SO-NA-G120Y	1
6	O-Ring	SO-NB-G125	1
7	Back-Up	SO-BB-G120	1
8	Back-Up	JIS W 1516-G9	1
9	Oil Seal	TC 38558-7	1

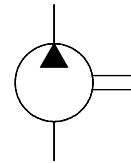
Note: When ordering the seals, please specify the seal kit number KS-PVR50150-1580.

PVM 50 - Series Single Vane Pumps

These pumps are widely used as a source of hydraulic power in mobile application. They combine stable performance and robust construction with a wide range of delivery rates.



Graphic Symbol



B

PVM Series
Single Vane Pumps

Specifications

Model Number	Geometric Displacement cm ³ /rev.	Max. Opr. Pressure Kgf/cm ²	Output Flow and Input Power	Shaft Speed Range r/min.		Mass (Approx.) Kg.	
				Max.	Min.	Flange Mounting	Foot Mounting
PVM50-13	9.0	175	Ref. Page 8, 9 & 10	2000*	600	12	14.7
PVM50-20	13.5						
PVM50-26	18.9						
PVM50-30	22.0						
PVM50-36	26.5						
PVM50-39	28.3						
PVM50-45	35.1						
PVM50-51	38.7						
PVM50-56	43.0	Ref. Page 24					

* For speeds above 1500 r/min., consult factory for information.

Model Number Designation

PVM50	-L	-F	-13	-R	A	A	-31	80H01
Series Number	Type of Mounting	Type of Pipe Connection	Nominal Displacement	Direction of Rotation	Discharge Port Position	Suction Port Position	Design * Number	Design Std
				As Viewed From Shaft End				
PVM50	L: Foot Type	F: Flange Connection T: Threaded	13	R: Clockwise (Normal)	(See Drawing) A: Normal and Upward B: Bottom R: Right L: Left	(See Drawing) A: Normal and Upward B: Bottom R: Right L: Left	31	80H01
			20					
			26					
	F: Flange Type		30	L: Counter Clockwise				
			36					
			39					
			45					
		51						
		56						

* Design numbers subject to change from 30 to 39, but installation dimensions remain as shown.

* For instructions regarding changing the port positions, consult YUKEN INDIA LTD.

■ **Mounting Details**

For mounting details refer page No. 7.
 For mounting details of PVM50-56-※-31H01 refer page no. 23

■ **Spare parts list**

For list of spares please refer page No. 10.

■ **Cartridge Kit Model Number**

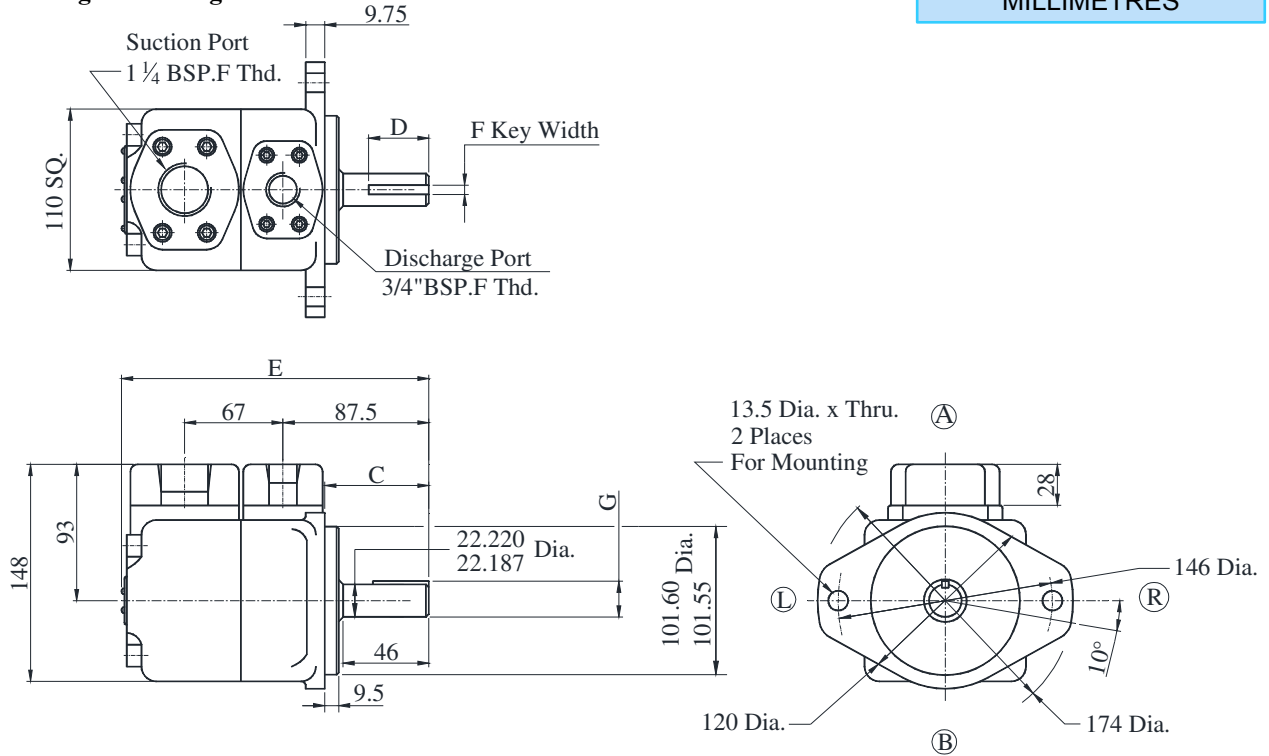
CPVM50	-13	-R	-31H01
Model Number	Nominal Displacement	Shaft Rotation	Design No.
CPVM50	13	R: Clockwise (Normal)	31H01
	20		
	26		
	30		
	36	L: Counter- Clockwise	
	39		
	45		
	51		
56			

* For instructions regarding replacing cartridge kit, consult YUKEN INDIA LTD.

PVM-50-F-※-※-※※※※ -3180H01

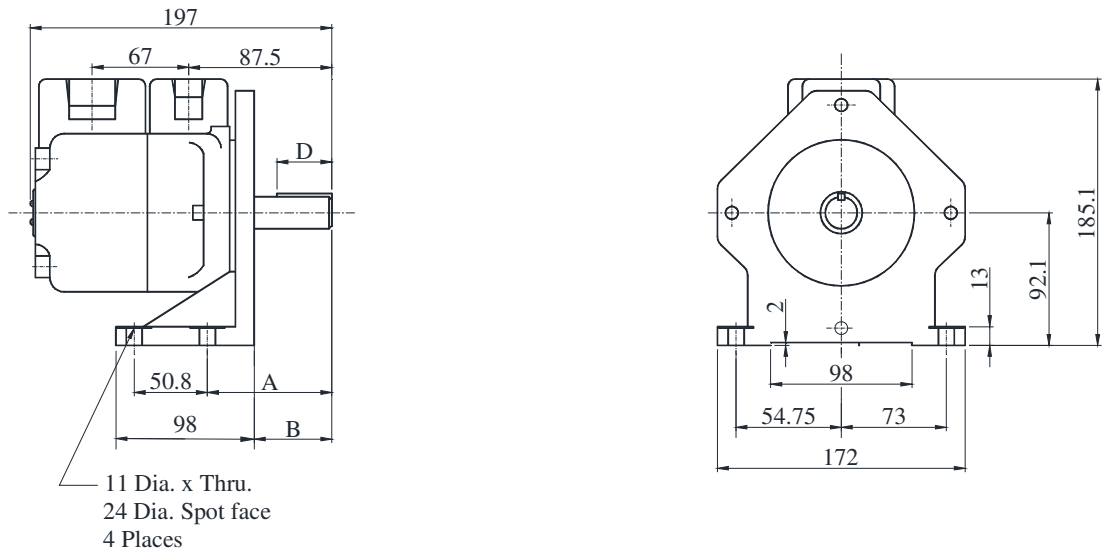
● **Flange Mounting**

DIMENSIONS IN MILLIMETRES



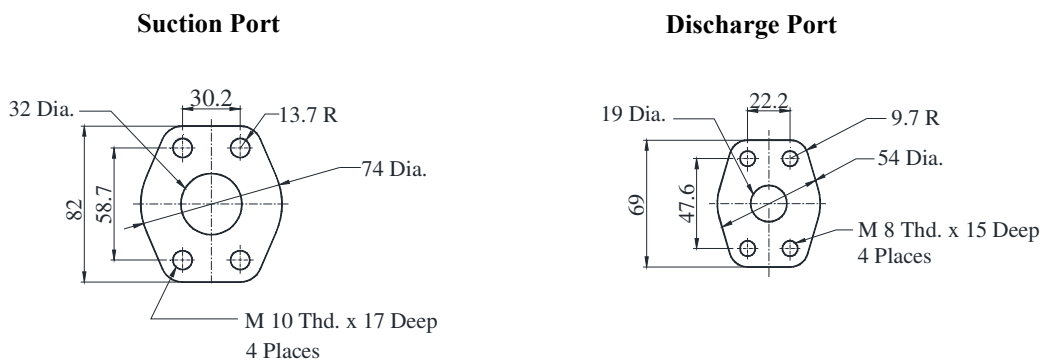
PVM50-L-※-※-※※※※ -3180H01

● **Foot Mounting**



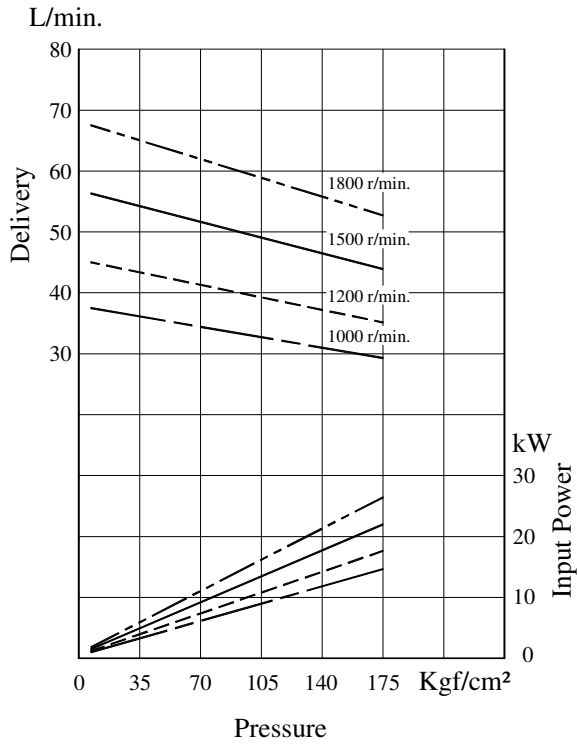
For Other Dimensions see Flange Mounting

For Reference: Dimensions of Pipe Flange Mounting Surfaces

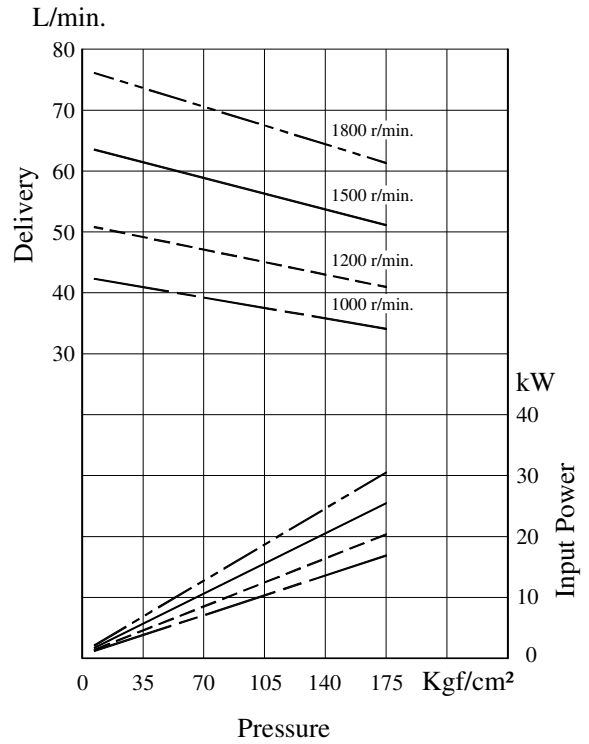


Typical Pump Characteristics Oil Viscosity 20 cSt [ISO VG 32, Temp 50⁰ C]

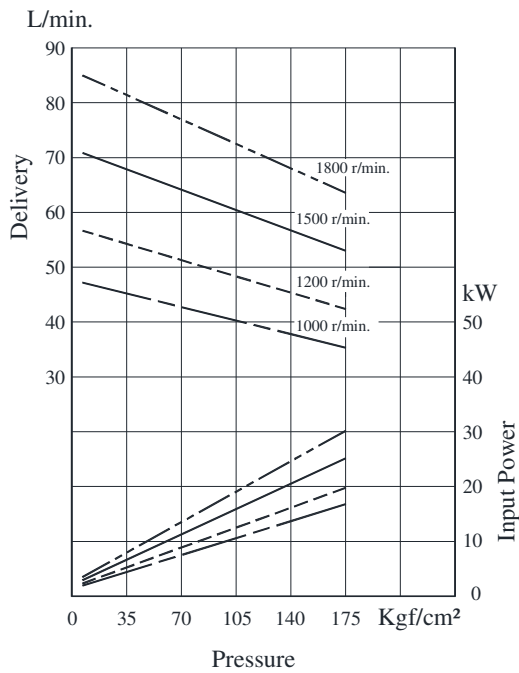
● **PVM50 - 45**



● **PVM50 - 51**



● **PVM50 - 56**

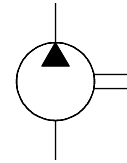


■ PVM 150 - Series Single Vane Pumps

These pumps are widely used as a source of hydraulic power in mobile application. They combine stable performance and robust construction with a wide range of delivery rates.



Graphic Symbol



■ Specifications

Model Number	Geometric Displacement cm ³ /rev.	Max. Opr. Pressure Kgf/cm ²	Output Flow and Input Power	Shaft Speed Range r/min.		Mass (Approx.) Kg.	
				Max.	Min.	Flange Mounting	Foot Mounting
PVM150 – 60	47	175	Ref. Page 13 & 14	2000*	600	29.3	35.9
PVM150 – 70	57						
PVM150 – 90	75						
PVM150 – 110	88						
PVM150 – 140	115						
PVM150 – 170	142						

* For speeds above 1500 r/min., consult factory for information.

■ Model Number Designation

PVM150	-L	-F	-60	-R	A	A	-34	80H01
Series Number	Type of Mounting	Type of Pipe Connection	Nominal Displacement	Direction of Rotation	Discharge Port Position	Suction Port Position	Design * Number	Design Std
				As Viewed From Shaft End				
PVM150	L: Foot Type	F: Flange Connection	60	R: Clockwise (Normal)	(See Drawing) A: Normal & Upward B: Bottom R: Right L: Left	(See Drawing) A: Normal & Upward B: Bottom R: Right L: Left	34	80H01
			70					
			90					
	F: Flange Type		110	L: Counter Clockwise				
			140					
			170					

* Design numbers subject to change from 30 to 39, but installation dimensions remain as shown.

* For instructions regarding changing the port positions, consult YUKEN INDIA LTD.

■ Mounting Details

For mounting details refer page No. 12.

■ Spare parts list

For list of spares please refer page No. 14.

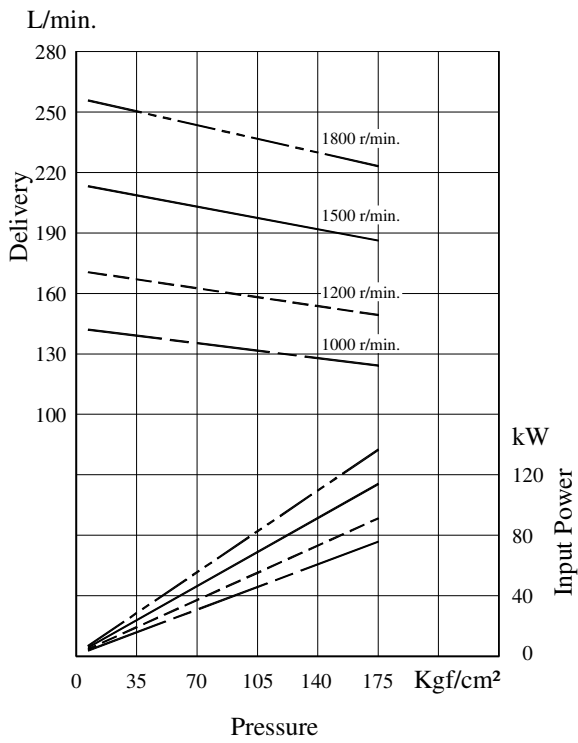
Cartridge Kit Model Number

CPVM150	-60	-R	-33H01
Model Number	Nominal Displacement	Shaft Rotation	Design No.
CPVM150	60	R: Clockwise (Normal) L: Counter-Clockwise	33H01
	70		
	90		
	110		
	140		
	170		

* For instructions regarding replacing cartridge kit, consult YUKEN INDIA LTD.

Typical Pump Characteristics Oil Viscosity 20 cSt [ISO VG 32, Temp 50⁰ C]

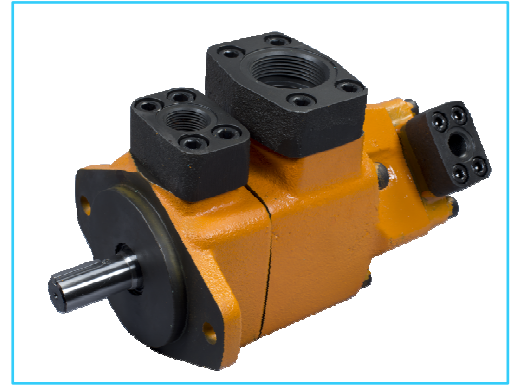
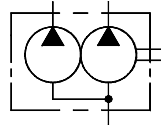
● PVM 150 - 170



PVM 1050 Series Double Vane Pumps

These double pumps consist of one PVM1T and one PVM50 series single pumps combined in tandem within a single housing and driven by a common shaft. Fluid delivered from the two separate ports can be either supplied to separate or common circuits. These pumps are used in mobile application.

Graphic symbol



Specifications

Model Number	Small Volume Pump Geometric Displacement cm ³ /rev.	Large Volume Pump Geometric Displacement cm ³ /rev.	Max. Opr. Pressure Kg/cm ²	Output Flow and Input Power	Shaft Speed Range r/min		Mass (Approx.) Kg.	
					Max.	Min.	Flange Mounting	Foot Mounting
PVM1050	Refer Specification in Page No. 1	Refer Specification in Page No. 21	175	Refer Page 4, 5, 8, 9 & 10*	2000	600	17.75	20.56

* Applicable to Large Volume Pump Model Number PVM50-45 & PVM50-51 refer page no. 24.

Model Number Designation

F-	PVR1050	-L	-F	-4	-39	-R	E	A	A	-11	80H01
Special Seals	Series Number	Mounting	Type of Pipe Connection	Small Volume Pump Nominal Displacement	Large Volume Pump Nominal Displacement	Direction of Rotation	Small Volume Pump Discharge Position	Large Volume Pump Discharge Position	Suction Port Position	Design No.	Design Std
F: For Phosphate Ester Type Fluids. (omit if not required)	PVM1050	L: Foot Mounting F: Flange Mounting	F: Flange Connection	4, 6 8, 10 12, 15 17	13, 20 26, 30 36, 39 45, 51	R: Clockwise (Normal) L: Anticlockwise				11	80H01

* Design numbers subject to change from 10 to 19, but installation dimensions remain as shown.

* For instructions regarding changing the port positions, consult YUKEN INDIA LTD.

Cartridge Kit Model Number

● Large Volume Pump

CPVM1050	-13	-R	-10H01
Model Number	Nominal Displacement	Shaft Rotation	Design No.
CPVM1050	13	R: Clockwise (Normal)	10H01
	20		
	26		
	30	L: Counter-Clockwise	
	36		
	39		
	45		
51			

● Small Volume Pump

CPVM1050	-4	-R	-10H01
Model Number	Nominal Displacement	Shaft Rotation	Design No.
CPVM1050	4	R: Clockwise (Normal)	10H01
	6		
	8		
	10	L: Counter-Clockwise	
	12		
	15		
	17		

* For instructions regarding replacing cartridge kit, consult YUKEN INDIA LTD.

Mounting Details

For mounting details please refer page No. 16.

Spare parts list

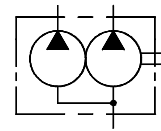
For list of spares please refer page No. 17.

PVM 50150 Series Double Vane Pumps

These double pumps consist of one PVM 50 and one PVM 150 series single pumps combined in tandem within a single housing and driven by a common shaft. Fluid delivered from the two separate ports can be either supplied to separate or common circuits. These pumps are used in mobile application.



Graphic symbol



Specifications

Model Number	Small Volume Pump Geometric Displacement cm ³ /rev.	Large Volume Pump Geometric Displacement cm ³ /rev.	Max. Oper. Pressure Kg/cm ²	Output Flow and Input Power	Shaft Speed Range r/min.		Mass (Approx) Kg.	
					Max.	Min.	Flange Mounting	Foot Mounting
PVM50150	Refer Specification in Page No. 21	Refer Specification in Page No. 25	175	Refer Page 8, 9, 10, 13, 24* & 26* ¹	2000* ²	600	42.5	49

* Applicable to Small Volume Pump Model Number PVM50 – 45 & 51 refer page no. 24.

*1 Applicable to Large Volume Pump Model Number PVM150 - 170 refer page no. 26.

*2 For speeds above 1500 r/min. consult factory for information.

Model Number Designation

PVM50150	-L	-F	-13	-60	-R	E	A	A	-15	80H01
Series Number	Mounting	Type of Pipe Connection	Small Volume Pump Nominal Displacement	Large Volume Pump Nominal Displacement	Direction of Rotation	Small Volume Pump Discharge Position	Large Volume Pump Discharge Position	Suction Port Position	Design *	Design Std
						As viewed from shaft end				
PVM50150	L: Foot Mounting F: Flange Mounting	F: Flange Attachment	13, 20 26, 30 36, 39 45, 51	60, 70 90, 110 140, 170	R: Clockwise (Normal) L: Anticlockwise				15	80H01

* Design numbers subject to change from 10 to 19, but installation dimensions remain as shown.

* For instructions regarding changing the port positions, consult YUKEN INDIA LTD.

Mounting Details

For mounting details please refer page No. 19.

Spare parts list

For list of spares please refer page No. 20.

Cartridge Kit Model Number

● **Large Volume Pump**

CPVM150	-60	-R	-33H01
Model Number	Nominal Displacement	Shaft Rotation	Design No.
CPVM150	60	R: Clockwise (Normal)	33H01
	70		
	80		
	90	L: Counter-Clockwise	
	110		
	140		
	170		

● **Small Volume Pump**

CPVM50150	-13	-R	-14
Model Number	Nominal Displacement	Shaft Rotation	Design No.
CPVM50150	13	R: Clockwise (Normal)	14
	20		
	26		
	30		
	36		
	39	L: Counter-Clockwise	
	45		
	51		

* For instructions regarding replacing cartridge kit, consult YUKEN INDIA LTD.