

PVV-10 SERIES

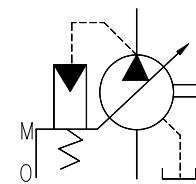
This is a variable displacement vane pump used in applications to save energy. When the hydraulic system reaches the 'set' pressure (e.g., end of stroke of cylinder), the delivery flow is cut-off reducing load on the motor and stopping unnecessary oil heating due to idle circulation. PVV-10 series is widely used in machine tool clamping systems.



Specifications

Model Number	Geometric Displacement cm ³ /rev.	Oper. Pressure Kgf/cm ²	Shaft Speed r/min.		Max. Oper. Pressure Kgf/cm ²	Mass Kg.
			Min.	Max.		
PVV-10-F-※-R-1080※※	8.0	10 ~ 70	800	1800	70	6.5

Graphic Symbol



Model Number Designation

F-	PVV	- 10	- F	- C	- R	- 10	80	H01
Special Seals **	Series Number	Delivery at Unloading L/min. @ 1500 r/min.	Type of Mounting	Pressure Adj. Range Kgf/cm ²	Direction of Rotation (As viewed from shaft end)	Design Number*	Design Standard	
F: For Phosphate Ester Type Fluids (Omit if not required)	PVV	10: 12	F: Flange Type (2 Bolt Mounting)	A: 10 ~ 20 ^{*1} B: 15 ~ 35 ^{*1} C: 30 ~ 70	R: Clockwise (Normal)	10	80	-- H01 ^{*2}

* Design numbers subject to change, but installation dimensions remain as shown below.

** Before ordering the Special Seals, consult YUKEN INDIA LTD.

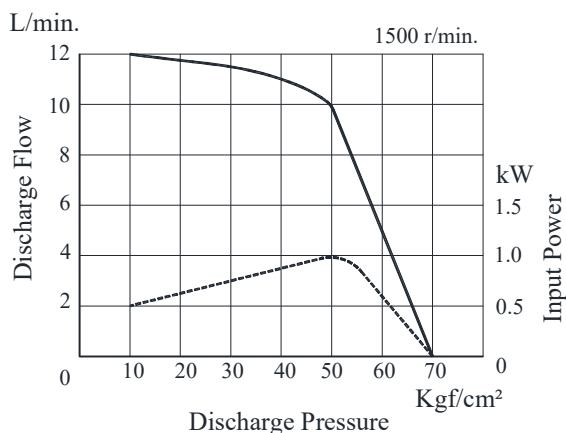
*1 Consult YIL for availability.

*2 H01: Change in pump mounting spigot Dia. 82.55 mm.

Typical Performance Characteristics

Hydraulic Fluid: Viscosity 32 cSt.

Discharge Pressure – Discharge Flow – Input Power

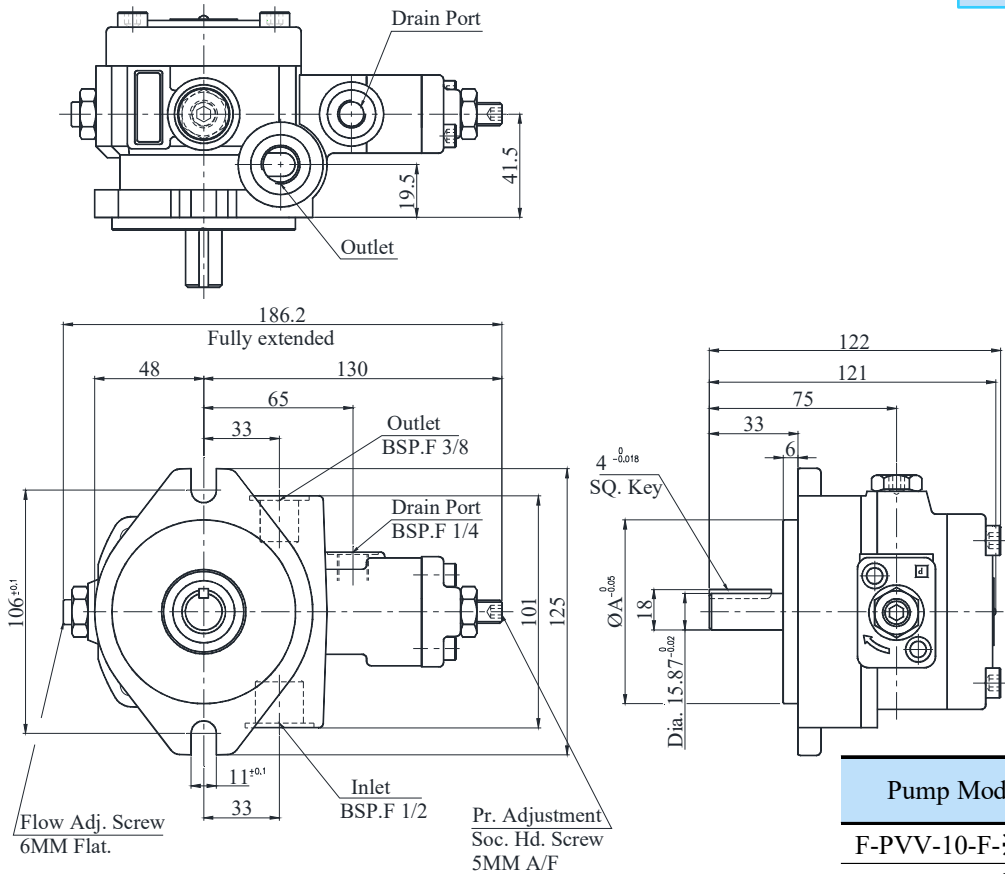


Variable Displacement Vane Pump

PVV-10-F-※-R-1080※※

- **Flange Mounting (2 Bolts)**

DIMENSIONS IN MILLIMETRES



Pump Model Numbers	Spigot Dia.
	A
F-PVV-10-F-※-R-1080	80
F-PVV-10-F-※-R-1080H01	82.55

B
Variable Displacement Vane Pump

Spare Parts List

- **List Of Seals**

Sl. No.	Name Of Parts	Part No.	Model Numbers	
			Qty.	
			PVV-10-※※	F-PVV-10-※※
1	Oil Seal	AE-0760-A2	1	1
2	O-Ring	SO-NB-A032	1	--
3		AO-NB-A023	1	--
4		SO-NB-A146	1	--
5		SO-NA-P20	1	--
6		SO-NA-P10	2	--
7		SO-FB-A032	--	1
8		AO-FB-A023	--	1
9		SO-FB-A146	--	1
10		SO-FA-P20	--	1
11		SO-FA-P10	--	2

Note: When ordering the seals, please specify the seal kit number from the table below.

- **List Of Seal Kits**

Pump Model Numbers	Seal Kit Numbers
PVV-10-F-※-R-1080※※	KS-PVV-10-1080
F-PVV-10-F-※-R-1080※※	F-KS-PVV-10-1080