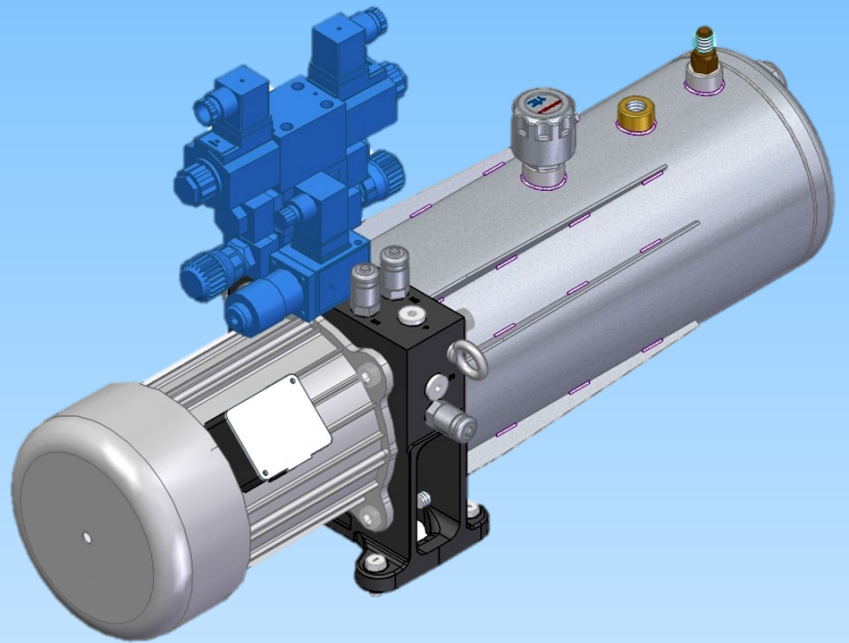
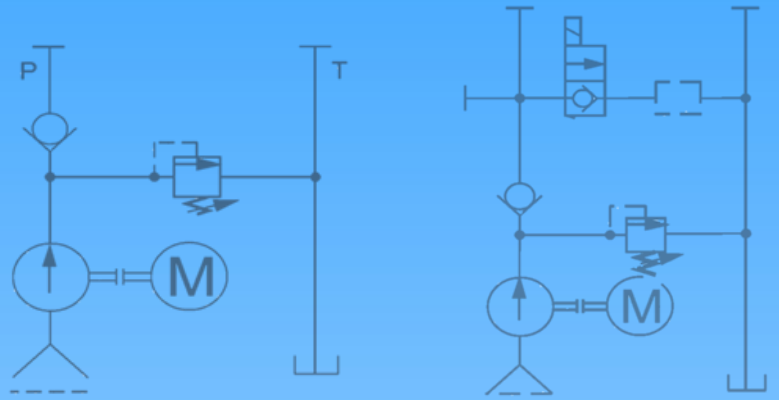
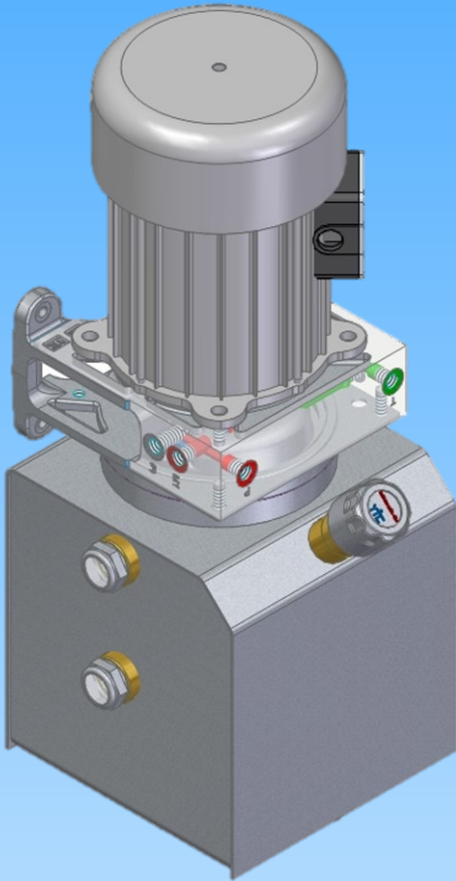




COMPACT POWER UNIT



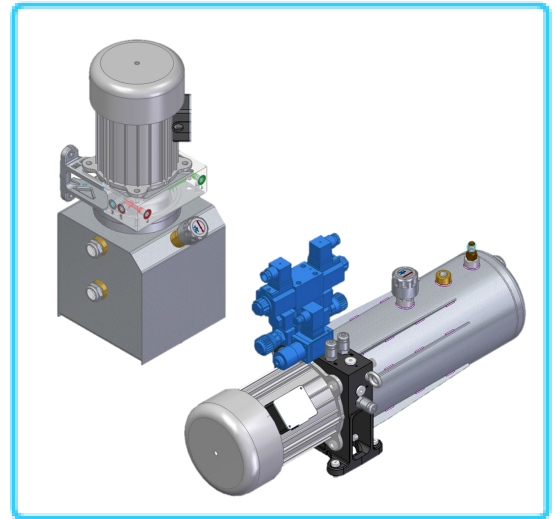
YUKEN INDIA LIMITED

■ YCPU Series Compact Power Unit

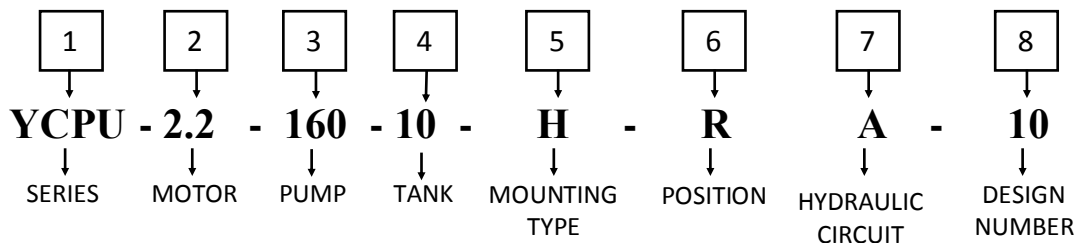
These compact power unit has been specially designed for compactness, quick delivery & installation. The power unit design is flexible enough to build most of the standard circuits .

■ Features

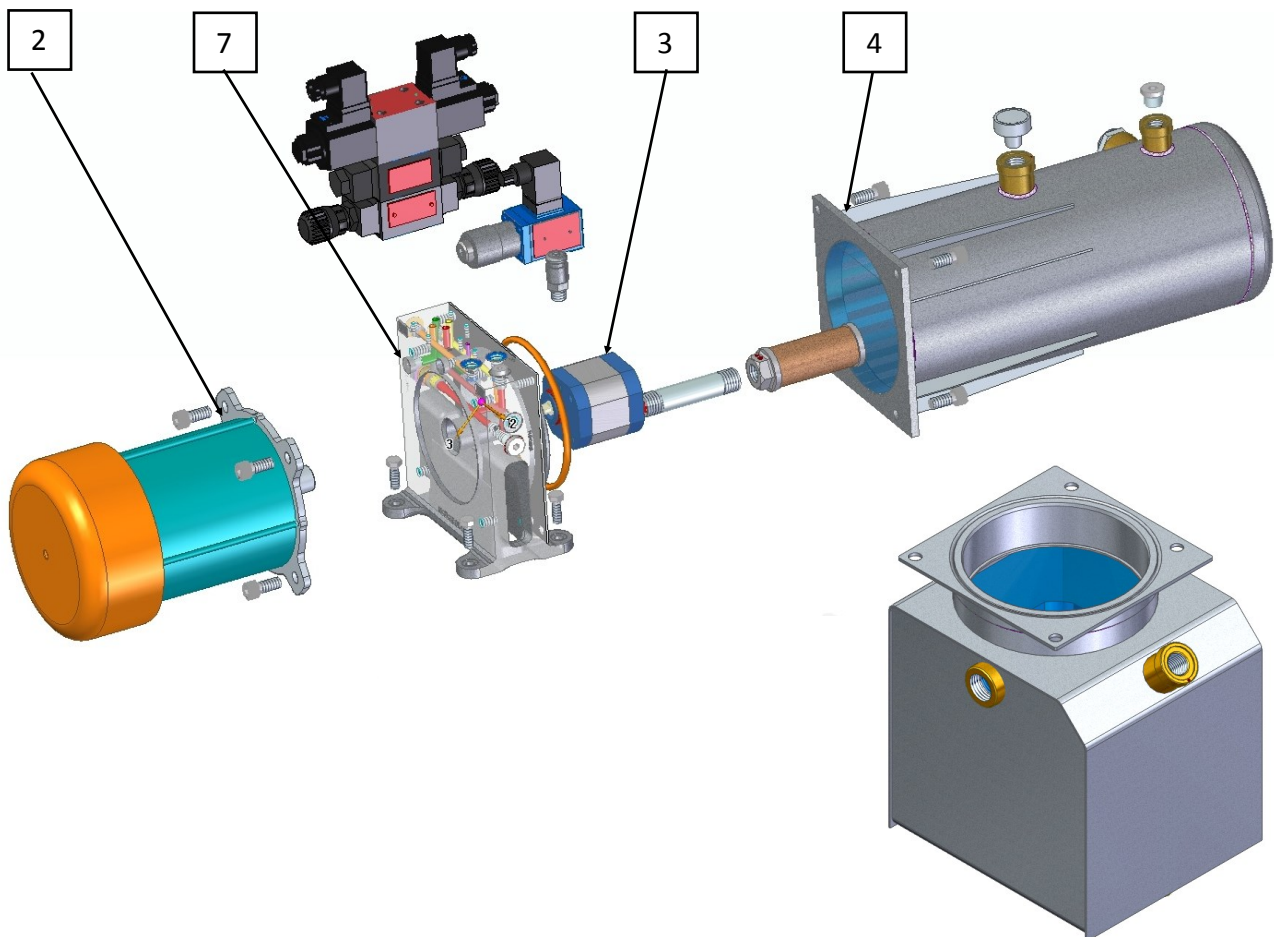
- Modular construction short delivery time.
- Pre-assembled power unit easy installation.
- Reservoir sizes to suit wide application range.
- Horizontal and vertical mounting with easy installation.



■ Model Number Designation

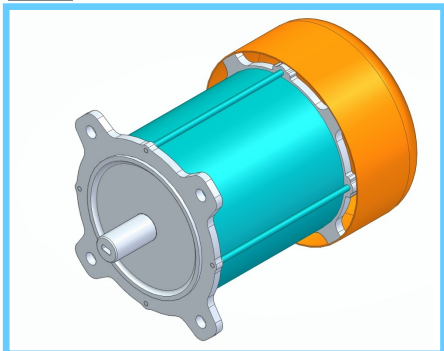


1 YCPU Series Compact Power Unit



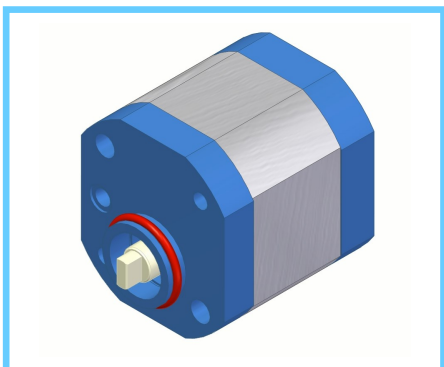
2 ELECTRICAL MOTOR

AC Motor Options



MODEL CODE	Pole	Phase	Voltage V	Mounting type
YEM-0.55kW	4P:1500RPM	3PH	415V	B5:Flange Mounting
YEM-0.75kW				
YEM-1.1kW				
YEM-2.2kW				

3 PG00-Series Gear Pump



Model Code	Geometric Displacement		Pressure in bar		Weight kg (approx)
	cm ³ /rev	Lpm @ 1500 rpm	continuous	Intermittent	
PG00-066	0.66	1.0	200	210	0.75
PG00-100	1.0	1.5	200	240	
PG00-160	1.6	2.4	200	240	
PG00-210	2.1	3.2	200	240	
PG00-320	3.2	4.8	200	240	
PG00-420	4.2	6.3	180	220	
PG00-530	5.3	8.0	180	220	

4 Hydraulic Tank

H : Horizontal Mounting

V : Vertical Mounting

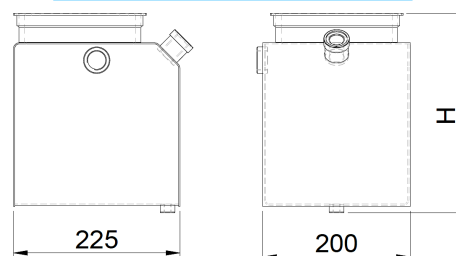
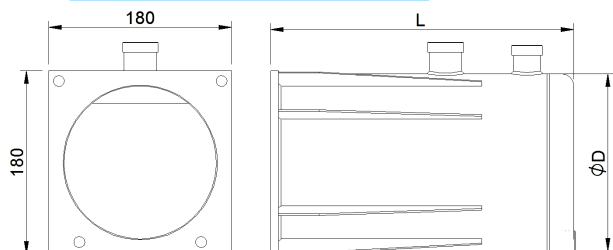
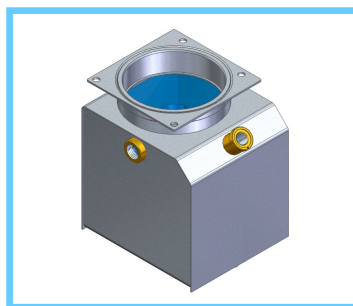
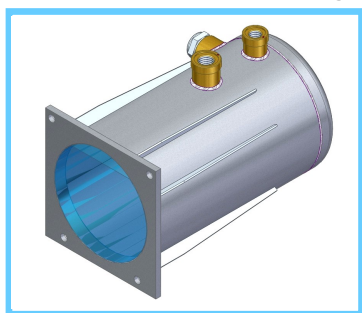
Dimensions in Millimeters

5 Mounting Type

C : Customized

H : Horizontal mounting Tank

V: Vertical mounting Tank

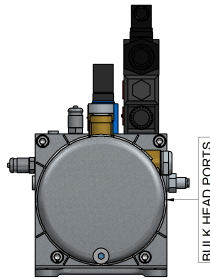
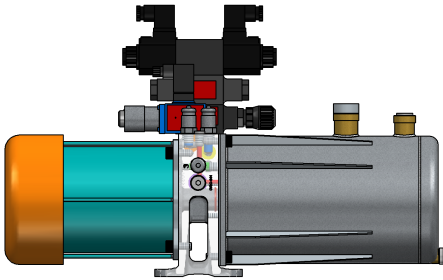
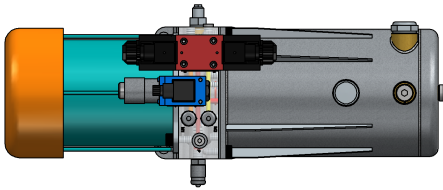


TANK-Horizontal Mounting		
TANK CAPCITY Ltrs	L	øD
04	200	174
06	300	
08	400	
12	500	

TANK-VETICAL MOUNTING			
TANK CAPCITY Ltrs	L	B	H
04	225	200	200
06	225	200	230
08	225	200	270
12	225	200	370

6 Mounting Position Type

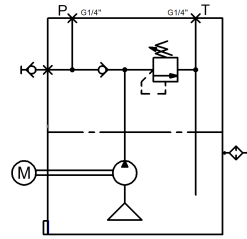
S : Standard Mounting



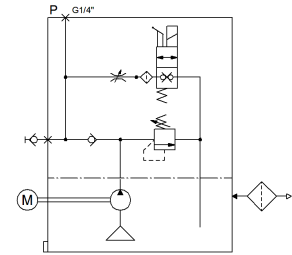
STANDARD MOUNTING

7 Hydraulic circuit

YCPU-*-A-10**



YCPU-*-B-10**

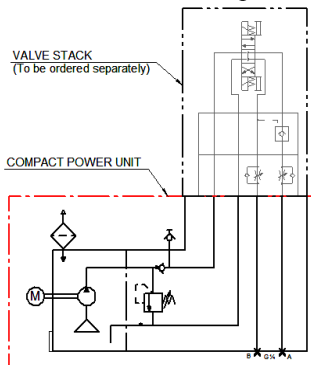


YCPU-*-C1-10**

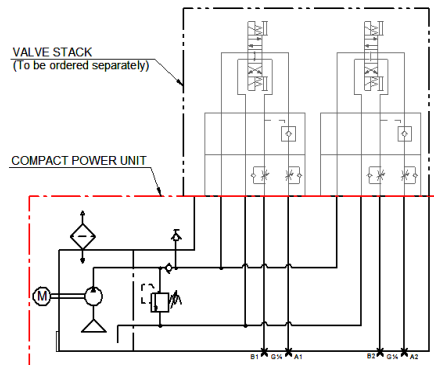
YCPU-*-C2-10**

YCPU-*-C3-10**

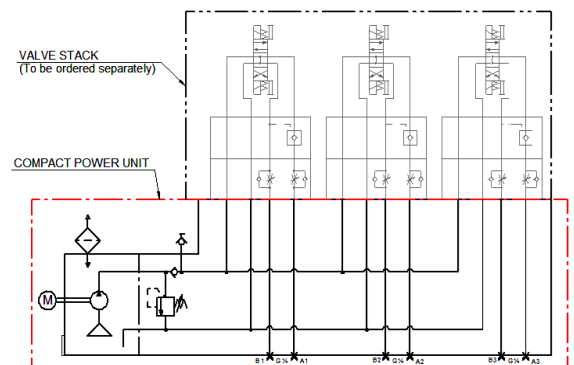
INTER FACE : Cetop-03



Single stack



Two stack



Three stack

Note : Contact **YIL** For Customized Modular options (Circuit Block C1~C3)
(Modular valves should be ordered separately)

YCPU-*-D-10**

Note : Contact **YIL** For Customized Circuit Block (option-'D')

Specifications

TANK : MOTOR : PUMP SELECTION								
	TANK SIZE							
	LITERS	4	6	6	8	12	12	12
MOTOR - KW	PRESSURE - BAR							
	0.55	200	191	119	91	60		
	0.75		200	163	124	81	62	
	1.1			200	182	119	91	72
	1.5				200	163	124	98
	2.2					200	182	144
@1450 rpm								
	cc	0.66	1	1.6	2.1	3.2	4.2	5.3
	Lpm	1.0	1.5	2.3	3.0	4.6	6.1	7.7
PUMP FLOW								

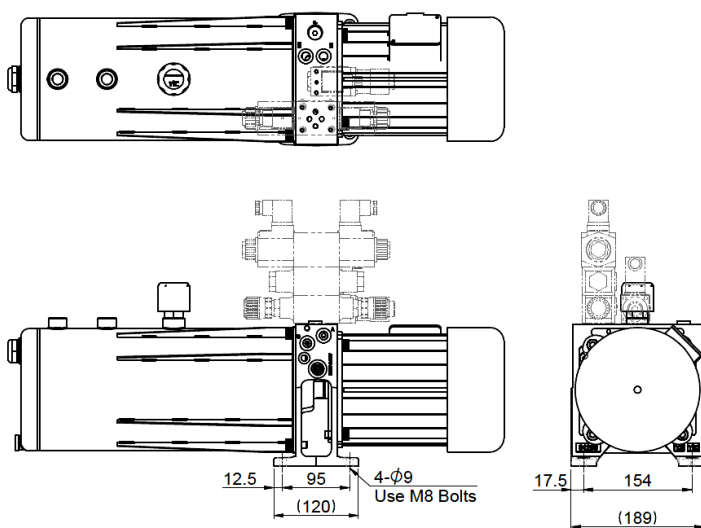
YCPU Series Compact Power Unit

Model Number Designation

YCPU	-1.5	-210	-08	-H	S	-A	-10
Series Number	Motor Power	Pump	Tank Capacity	Mounting Type	Mounting Position	Hydraulic Circuit Type	Design Number
YCPU : Compact Power Unit	0.55 : 0.55 kw	066 : PG00-066	04 : 04 ltrs	H : Horizontal V : Vertical C : Customised	S : Standard	A : P & T Circuit B : Lift Circuit 2 C1 : CETOP 3 MFD (single Stack) Circuit C2 : CETOP 3 MFD (Two Stack) Circuit C3 : CETOP 3 MFD (Three Stack) Circuit D : Customised Circuit	10
		100 : PG00-100	06 : 06 ltrs				
		160 : PG00-160	08 : 08 ltrs				
		210 : PG00-210	12 : 12 ltrs				
		320 : PG00-320	12 : 12 ltrs				
	0.75 : 0.75 kw	100 : PG00-100	06 : 06 ltrs				
		160 : PG00-160	08 : 08 ltrs				
		210 : PG00-210	12 : 12 ltrs				
		320 : PG00-320	12 : 12 ltrs				
	1.1 : 1.1 kw	420 : PG00-420	12 : 12 ltrs				
		530 : PG00-530	12 : 12 ltrs				
		160 : PG00-160	06 : 06 ltrs				
		210 : PG00-210	08 : 08 ltrs				
	1.5 : 1.5 kw	320 : PG00-320	12 : 12 ltrs				
		420 : PG00-420					
		530 : PG00-530					
		210 : PG00-210					
	2.2 : 2.2 kw	320 : PG00-320	12 : 12 ltrs				
		420 : PG00-420					
		530 : PG00-530					

YCPU-***-H-S-*-10

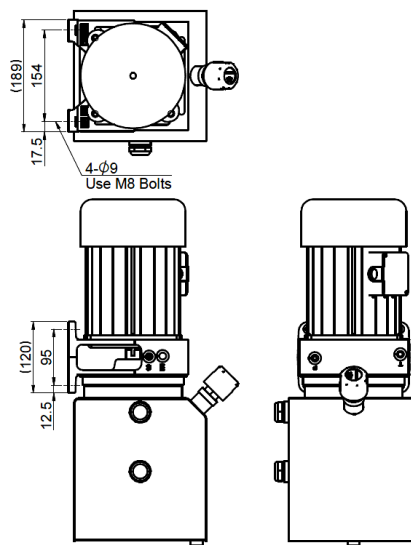
Horizontal mounting type



YCPU-***-V-***-10

Vertical mounting type

Dimensions in Millimeters



For further information contact us
YUKEN INDIA LTD.

P. B. No. 5, Koppalthimmanahalli Village,
H. Hosakote Gram Panchayat, Lakkur Hobli,
Malur Taluk, Kolar District- 563 130, Karnataka
Email: marketing@yukenindia.com

YCPU Series Compact Power Unit