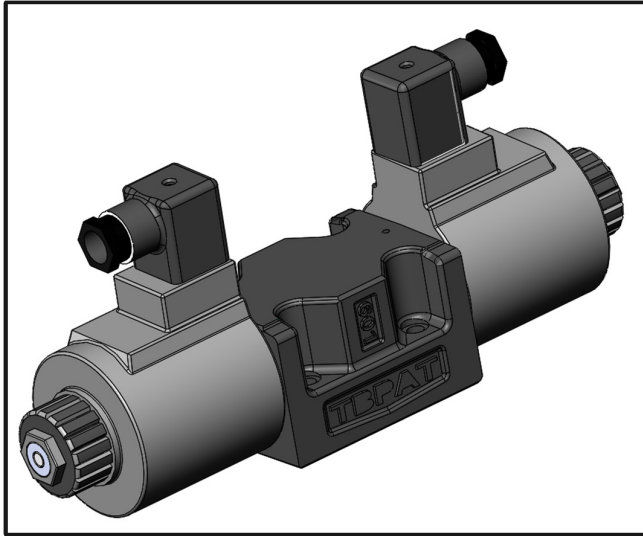


## Release of New Product – YD-03



We are happy to announce the release of a new series of Solenoid Operated Directional Valve – YD-03.

It complements our existing series of Solenoid Operated Directional Valve – DSG-03 and is targeted at applications requiring high pressure & high flow.

The full range of valves with different spool types and various solenoid options are all available enabling an optimized selection for your application.

Valve Type	Model Numbers	Max. Flow L/min.	Max. Operating Pressure Kgf/cm <sup>2</sup>	Max. T-Line Back Pressure Kgf/cm <sup>2</sup>	Max. Changeover Frequency Cycles/Min.			Mass Kg.	
					AC	DC	AC / DC Conversion	Type of solenoid	
								AC	DC, R
Standard Type	YD-03-3C※-※-10	160	350 {Spool Type 60 Only 250}	210	240	180	120	4.5	6.0
	YD-03-2D※-※-10							3.6	4.4
	YD-03-2B※-※-10								

The Solenoid Operated Directional Valves are available off the shelf and can be ordered from any Yuken distributor or representative (Details are available in the 'NETWORK' section of the website). Detailed specification sheet is available under the 'PRODUCTS' tab.



Regd. Office: No. 16-C, Doddanekundi Industrial Area,  
2<sup>nd</sup> Phase, Mahadevapura, Bangalore – 560048

Phone: 080 – 2845 7893

Fax: 080 – 2845 7890

E-mail: [marketing@yukenindia.com](mailto:marketing@yukenindia.com)

Website: [www.yukenindia.com](http://www.yukenindia.com)

CIN No.: L29150KA1976PLC003017