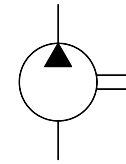


**PG3-Series Gear Pumps**



Graphic Symbol

**Specifications**

Model Number	Geometric Displacement	Flow Rate at 1500 rev/min.	Max. Pressure Kg/cm <sup>2</sup>			Shaft Speed range (r/min.)		Approx. Weight
	cm <sup>3</sup> /rev	L/min.	P1 Cont.	P2 Int.	P3 Peak	Min.	Max.	Kg.
PG3-330	33.0	49.5	210	235	250	250	3000	18.5
PG3-370	37.0	55.5						20.0
PG3-400	40.0	60.0				22.5		
PG3-440	44.0	66.0				24.0		
PG3-525	52.5	79.0				26.5		

**Model Number Designation**

PG3	-330	-U2	-3	-F	-V	-R	-10	90
Series	Size	Shaft	Mounting	Port	Driven Shaft Seal	Direction of Rotation (Viewed from Shaft End)	Design Number	Design Std.
PG3	330	U1: 17 Teeth Spline	3: SAE 'C' 4 Bolt	F: Suction port Flange Type  Delivery port Flange Type	B:Nitrile V:Viton	R: Clockwise  L: Counter Clockwise	10	90
	370							
	400							
	440	U2: SAE 'B-B' Spline						
	525	S: SAE 'B-B' Parallel						

\* Threaded ports are available. Consult factory for details.

**Seals**

B: Nitrile (Temp. range:- 50°C + 80°C)  
V: Viton (Temp. range:- 45°C + 140°C)

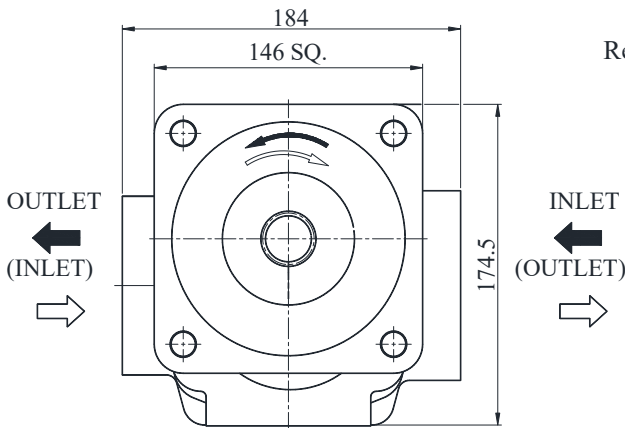
**Spare Parts List**

**List of Seals**

Sl. No.	Name of Parts	Part Numbers		Qty.
		Nitrile	Viton	
1	Body End Seal	PG3 01 21	PG2 01 21	2
2	Oil Seal	PG3 01 20	PG2 01 31	1

Note: When ordering the seals, please specify the seal kit number  
KS-PG3-B for Nitrile  
KS-PG3-V for Viton

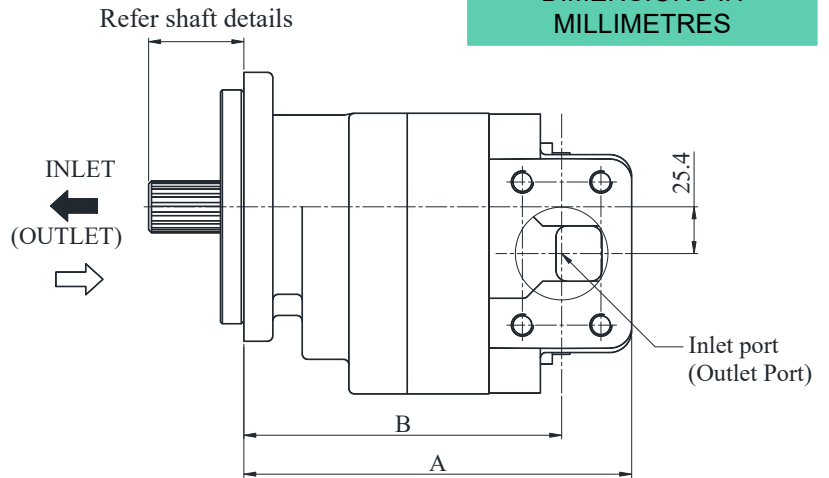
● PG3-※-※-3-F-※-※-1090



General Arrangement

SAE-C 4 Bolt Mounting:

Refer shaft details



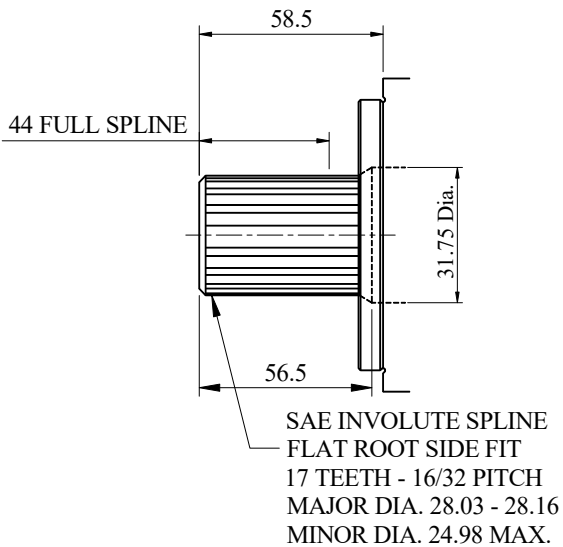
DIMENSIONS IN MILLIMETRES

Model number	A	B
PG3-330-※-3-F-※-※-1090	184.0	147.7
PG3-370-※-3-F-※-※-1090	186.8	150.5
PG3-400-※-3-F-※-※-1090	189.0	152.7
PG3-440-※-3-F-※-※-1090	191.7	155.4
PG3-525-※-3-F-※-※-1090	197.6	161.4

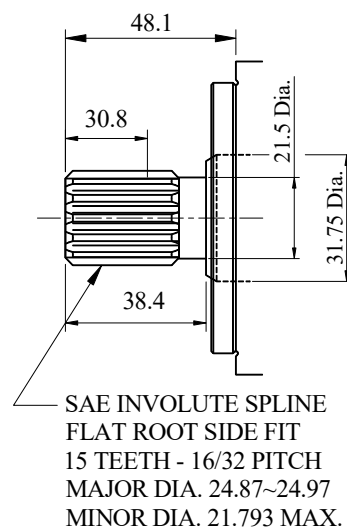
DIMENSIONS IN MILLIMETRES

■ Shaft

● Spline Shaft: U1

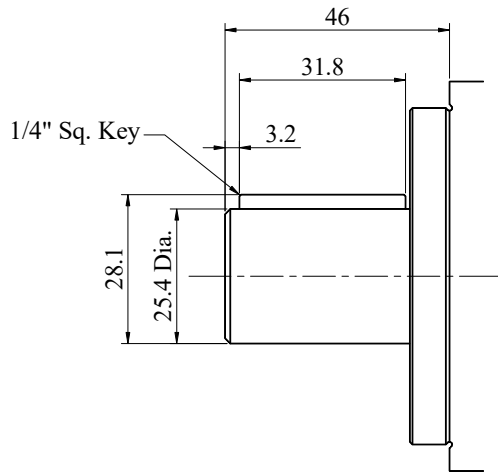


● Spline Shaft: U2



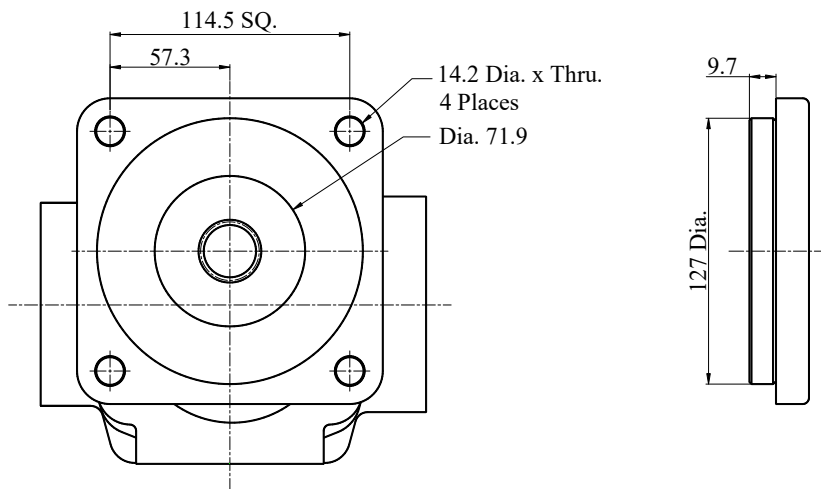
- **Straight shaft:** SAE “B-B” Parallel

DIMENSIONS IN MILLIMETRES



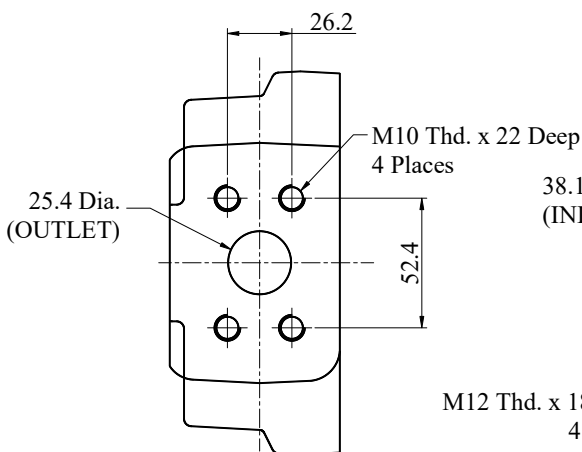
■ **Flange**

- **SAE ‘C’-4 Bolt Flange**

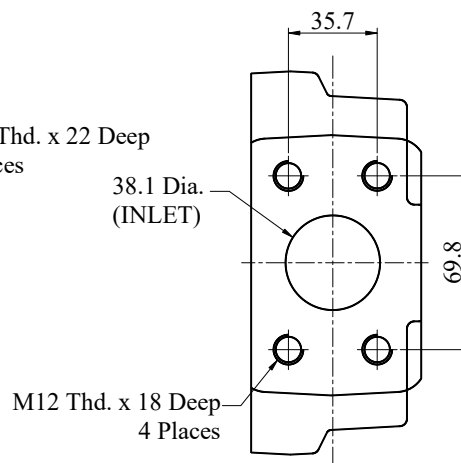


■ **Ports**

- **Delivery Port**

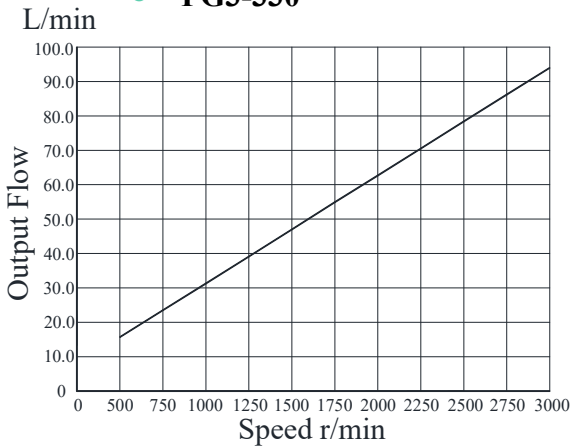


- **Suction Port**

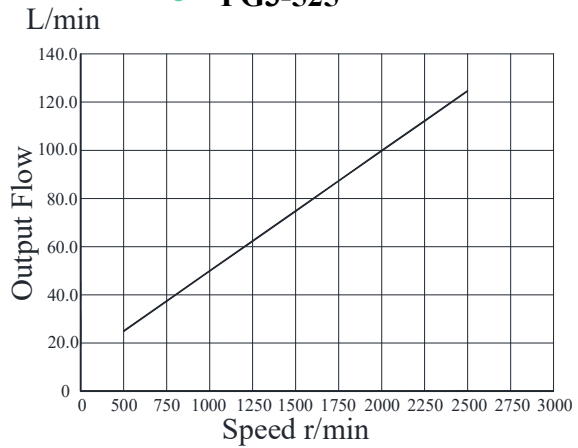


Speed Vs. Flow

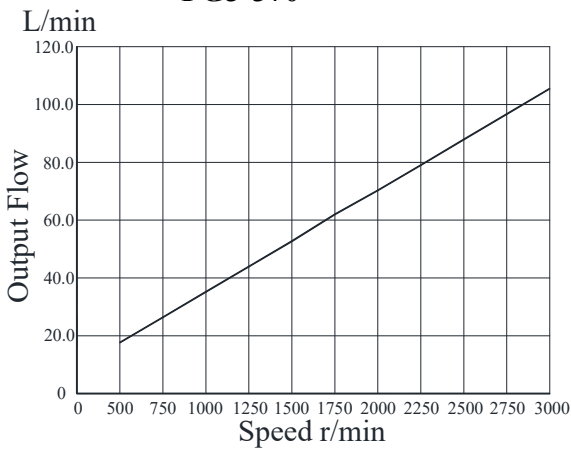
● PG3-330



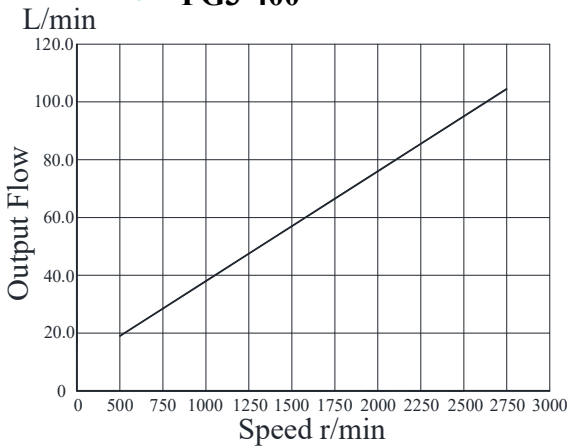
● PG3-525



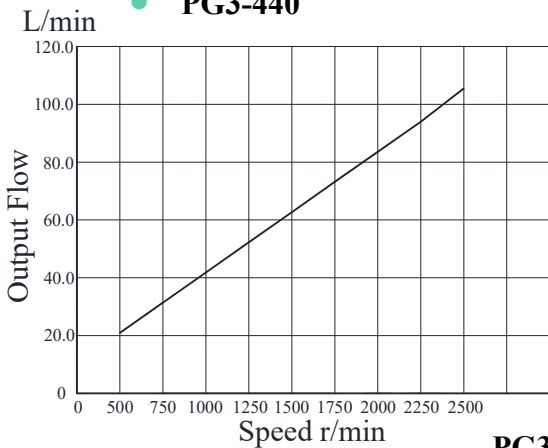
● PG3-370



● PG3-400



● PG3-440



Typical Performance Characteristics Oil Viscosity 40~50 cSt [ISO VG 46, 40<sup>0</sup> C]

■ Pressure Vs. Input Power

