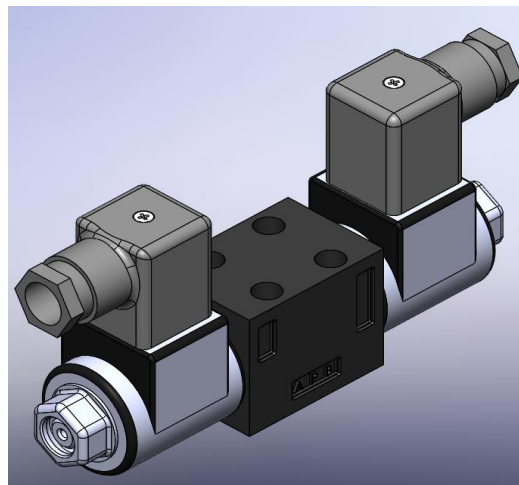


1/16 Solenoid Operated Directional Valves, YDG-005 Series

- WIDE RANGE OF MODELS--Choose the optimum valve to meet needs from a large selection available.**

The YDG-005-10 series solenoid operated directional valves are the products newly developed as a “Mini-series”. The valve is designed very compactly with maximum operating pressure of 25 Mpa (3626 PSI) and maximum flow rate 20 L/min. (5.29U.S.GPM). This Valve contributes to a considerable space saving requirement. By using wet armature solenoids, these valves Offer long life.

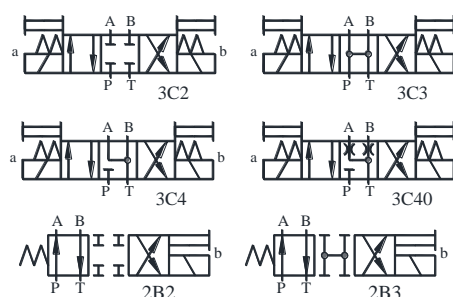


- Standard type ----- Usable at 250 kgf/cm² pressure, 20 L/min. flow**

The optimum valve for any system can be utilized since many spool types and various solenoids are all available, along with other optional functions.

- IP65-equivalent dust and water resistant**

On request can be customized up to IP68/69. Consult YIL for more details.



Graphic Symbols

Specifications

Valve Type	Model Numbers	Max. Flow* L/min.	Max. Operating Pressure Kgf/cm ²	Max. T-Line Back Pressure Kgf/cm ²	Max. Changeover Frequency Cycles/min.	Approx. Mass Kg
Standard Type	YDG-005-3C※-※-10	20	250	70	120	1.5
	YDG-005-2B※-※-10					1.3

Maximum flow indicates a ceiling flow. As the ceiling flow depends on the type of spool and operating condition

Mounting Bolts

Four Socket Head Cap Screws as in the table below are included.

Soc. Hd. Cap Screw	Qty. (Nos.)	Tightening Torque	Mounting Bolt Kit Number
M5 x 35 Lg.	4	5 Nm/0.5 Kgm	BKYDG-005-10

Solenoid Ratings

Valve Type	Electric source	Coil Type	Voltage (V)		Current & Power at Rated Voltage		
			Source Rating	Serviceable Range	Inrush (A) *2	Holding (A)	Power (W)
	DC	D12	12	10.8 - 13.2	N/A	1.2	15
D24	24	21.6 - 26.4	0.6				

*1 Inrush current in the above table show rms values at maximum stroke.

*2 The plug-in connector type DC solenoid has a built-in surge absorber.

The flying lead wire type has no surge absorber equipped. Install a surge absorber separately.

Model Number Designation

F	YDG	- 005	- 2	B	2	A	- D12	- N1	10	- L
Special Seals **	Series Number	Valve Size	Number of Valve Positions	Spool - Spring Arrangement	Spool Type	Special Two Position Valve [Omit if not required]	Coil Type	Electrical Conduit Connection	² Design Number	Models with Alternate offset Solenoid [Omit if not required]
F: Special Seals for Phosphate Ester Type Fluids (Omit if not required)	YDG: Solenoid Operated Directional Valve	005	3: Three Positions	C: Spring Centered	2, 3 4, 40	--	DC: D 12, D 24,	N0: Plug-in Type, but Without Connector N1: With Plug-in Connector with Indicator Light 2P: DT-04-2P Deutsch Connector	10	--
			2: Two Positions	B: Spring Offset	2, 3	A ^{*1} B ^{*1}				L

- *1 For 2-position valves, spool types in addition to 2 and 3 are available.
- *2 Design numbers subject to change. But installation dimensions remain as shown for design number 10 through 19.

Models With DC Solenoid : YDG-005-*-D**-N1-10 (DIN Connector Type)**

