

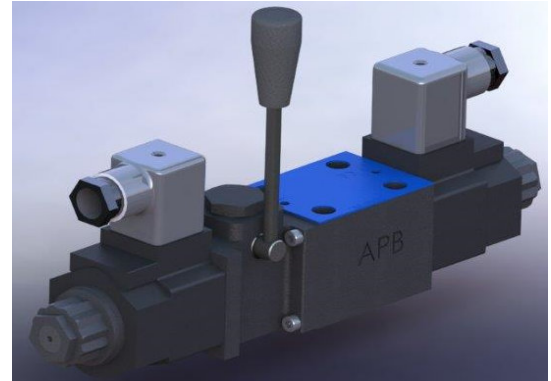
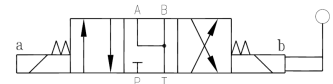
**■ 1/8” Manual Override Solenoid Operated Directional Valves,**

**DSMG-01 Series**

The Manual Override for solenoid valves by Yuken represents development in terms of safety and flexibility among applied hydraulic components.

As the manual override applied to solenoid valves, the control can be used as a safety device in conformity with the industrial standards, also playing a useful role in the event of power cuts. The control can be used in agricultural and mobile fields; the manual action can be used to carry out periodic maintenance work on mobile components of the vehicle, in perfectly safe working conditions.

**Graphical Symbol**



**□ Specification**

Valve Type	Model numbers	Max. Flow L/min	Max. Operating Pressure Kg/cm <sup>2</sup>	Max. T-Line Back Pressure Kg/cm <sup>2</sup>	Max. Changeover Frequency Cycles/min	Mass Kg
Standard Type	DSMG-01-3C*-*-N*-10	63	315 {For Spool Type 60 Only 250}	160	300	2.9
	DSMG-01-2B*-*-N*-10					2.3

**□ Sub-Plates**

Sub-plate Model Numbers	Thread Size	Approx. Mass Kg.
DSGM-01-3080	1/8 BSP.F	0.8
DSGM-01X-3080	1/4 BSP.F	0.8

\*Sub-plates are available. Specify the sub-plate model number from the table above. When sub-plates are not used, the mounting surface should have a good machined finish.

**□ Mounting Bolts**

Four socket head cap screws as in the table below are included.

Soc. Hd. Cap Screw	Qty.	Mounting Bolt Kit Number
M5 x 45 Lg.	4	BKDSG-01-50



□ **Model Number Designation**

F-	DSMG	-01	-2	B	2	A	-A100	-C	- N1	-10	-L
Special seals	Series Number	Valve Size	Number of Valve Positions	Spool-Spring Arrangement	Spool Type	Special Two Position Valve (Omit if Not Required)	Coil Type	Manual Override	Electrical Conduit Connection	Design Number *1	Models With Alternate Offset Solenoid (Omit if Not Required)
F: Special Seals for Phosphate Ester Type Fluids (Omit if not Required)	DSMG: Manual override Solenoid Operated Directional Valve	01	3: Three Positions	C: Spring Centered	2, 3, 4, 40, 5, 60, 7, 8, 9, 10, 11, 12,	----	AC: A100 A120 A200 A240	None: Manual Override Pin	N0: Without Din Connector	10	----
			2: Two Positions	B: Spring Offset	2, 3, 8	A B	DC: D 12, D 24, D 48, D 100, D 110, D 200, D 220	C: Push Button and Lock Nut (Option)			N1: With Plug-in Connector with Indicator Light

\*1. Design numbers subjected to change. But installation dimensions remain as shown.

□ **Solenoid Ratings**

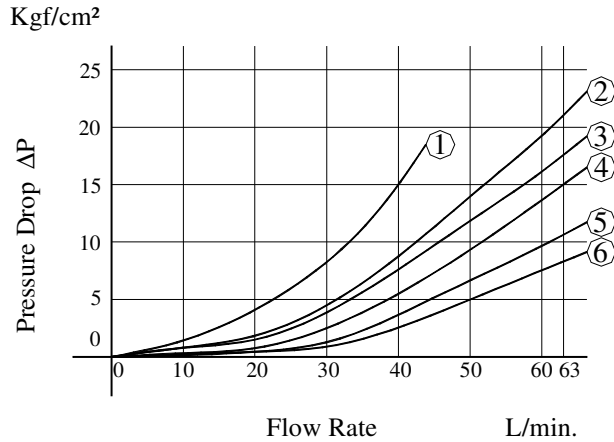
Valve Type	Electric Source	Coil Type	Frequency (Hz)	Voltage (V)		Current & Power at Rated Voltage		
				Source Rating	Serviceable Range	Inrush (A) *1	Holding (A)	Power (W)
Standard Type	AC	A100	50	100	80-110	1.6	0.46	----
			60	100	90-120	2.12	0.32	
				110		2.33	0.39	
		A120	50	120	96-132	1.3	0.38	
			60		108-144	1.77	0.27	
		A200	50	200	160-220	0.80	0.23	
			60		180-240	1.06	0.16	
			220	1.17		0.19		
			50	240	192-264	0.67	0.19	
		60	216-288		0.89	0.13		
	DC	D12	-----	12	10.8-13.2	-----	2.2	26
		D24		24	21.6-26.4		1.1	
		D48		48	43.2-52.8		0.55	
		D100		100	90-110		0.27	
D110		110		99-121	0.24			
D200		200		180-220	0.13			
D220		220		198-242	0.12			

\*1. Inrush current in the above table show rms values at maximum stroke.

□ **Pressure Drop**

Pressure drop based on viscosity cSt and specific gravity of 0.85

- **Standard Type : DSMG-01**



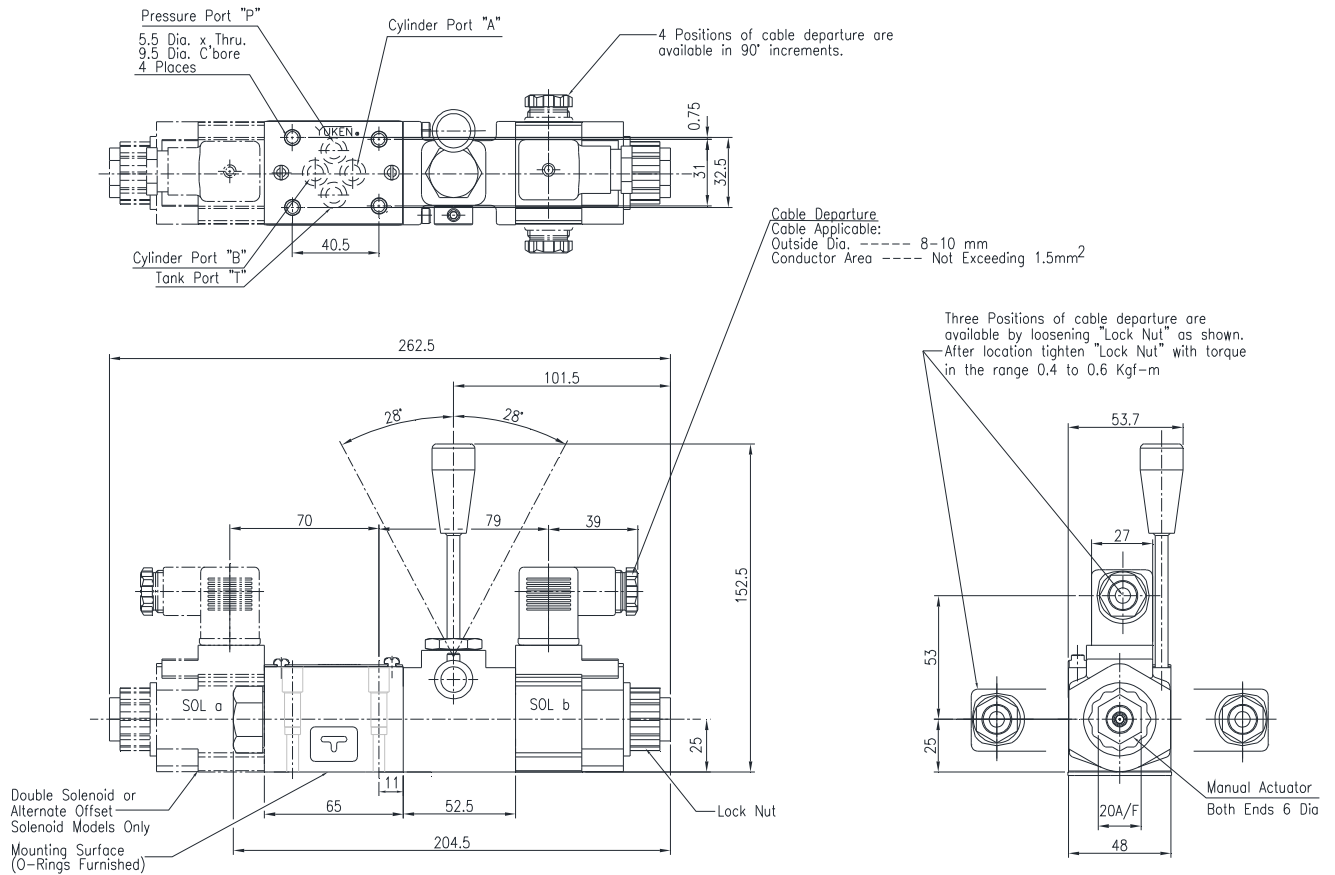
Model Numbers	Pressure Drop Curve Number				
	P→A	B→T	P→B	A→T	P→T
DSMG-01-3C2	⑤	⑤	⑤	⑤	—
DSMG-01-3C3	⑥	⑥	⑥	⑥	④
DSG-01-3C4	⑤	⑥	⑤	⑥	—
DSMG-01-3C40	⑤	⑤	⑤	⑤	—
DSMG-01-3C5	①	①	①	①	④
DSMG-01-3C60	①	①	①	①	④
DSMG-01-3C7	⑤	⑤	⑤	⑤	—
DSMG-01-3C8	⑤	—	⑤	—	—
DSMG-01-3C9	⑥	⑤	⑤	⑥	—
DSMG-01-3C10	⑤	⑥	⑤	⑤	—
DSMG-01-3C11	⑥	⑤	⑤	⑤	—
DSMG-01-3C12	⑤	⑤	⑤	⑥	—
DSMG-01-2B2	②	②	⑤	⑤	—
DSMG-01-2B3	③	③	⑤	⑥	—
DSMG-01-2B8	⑤	—	⑤	—	—



□ **Mounting Dimensions**

▪ **Models with AC Solenoid : DSMG-01-\*\*\*-A\*\*\*-N\*-10**

**DIMENSIONS IN MILLIMETERS**



**Models with DC Solenoid: DSMG-01-\*\*\*-D\*\*\*-N\*-10**

