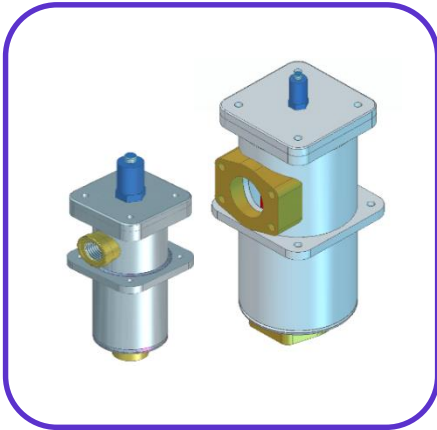


Change Notice to Return Line Filters YRLF series → RLF series



We are hereby giving notice of a change to the nomenclature and construction of our return line filters range, primarily used in large projects.

We are introducing the nomenclature change to keep track of a host of changes cum rationalizing of the manufacturing processes. The same mountings, reliability and performance that customers have come to expect is being maintained.

	Old Designation	New Designation
Filter	YRLF-**-**-**-10	RLF-**-**-**-20
Element	YFE-RFG-**-**-10	ERF-**-**-20
Clog Indicator	VEI-R3-10	EI-R13-20

Note: Refer YUS-I-028, Pub:08-2023 for details

- Filter mounting on the tank top and piping dimensions remains same
- Filter elements remains interchangeable between YRLF and RLF series
- Form (Head or bowl sizes) of the filter might change slightly. Refer detailed engineering information sheet.

Model Number Designation

RLF	-60	-B	-03	-EI	-20
Series Number	Size	Port Size	Filtration Rating	Clogging Indicator	Design Number
RLF : Tank Top Return line filter	30	G : G 1/2"	03 : 03µm 05 : 05µm 10 : 10µm 20 : 20µm	EI : Electrical Clogging Indicator None : Without Clogging Indicator	20
	60	A : G 3/4"			
	110				
	160	B : G 1 1/4"			
	240				
	330	D : SAE 2"			
	660	E : SAE 3"			
	950	F : SAE 3 1/2"			



Regd. Office: No. 16-C, Doddanekundi Industrial Area,
 2nd Phase, Mahadevapura, Bangalore – 560048

E-mail: marketing@yukenindia.com

Website: www.yukenindia.com

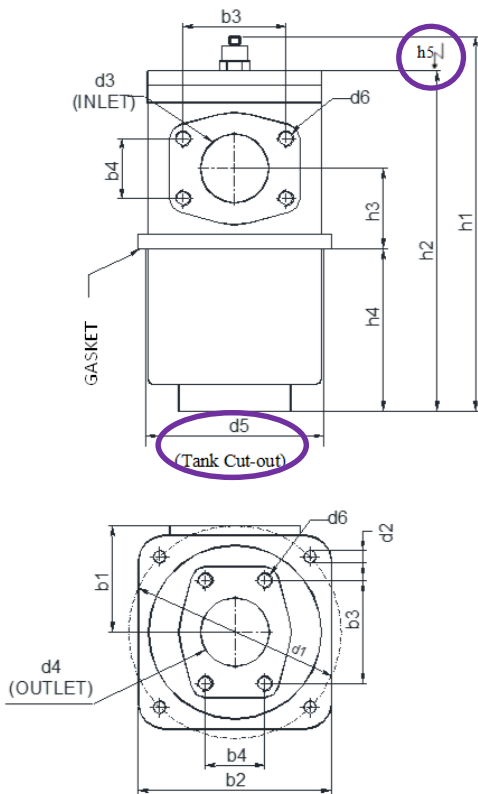
CIN No.: L29150KA1976PLC003017

Elaborating on some of the differences, in the design update, please take a look at the new spec. sheet for details. However, in view of some feedback we would like to highlight 3 points

1. Difference in the tank cut-out dimensions while mounting the new series of filters.

Recommended tank cut-out dimensions have been added in-line with new bowl diameters in some cases.

- a. Please note, the bolt mounting pitch remains unchanged between YRLF**10D and RLF**20D.



Model	d5 Bowl Dia
YRLF-030-G-**-10	62
YRLF-060-A-**-10	77
YRLF-110-A-**-10	77
YRLF-160-B-**-10	107
YRLF-240-B-**-10	107
YRLF-330-D-**-10	135
YRLF-660-E-**-10	180
YRLF-950-F-**-10	208

Model	d5 Tank Cut-Out	H5
RLF-030-G-**-20	63	90
RLF-060-A-**-20	80	80
RLF-110-A-**-20	80	145
RLF-160-B-**-20	108	120
RLF-240-B-**-20	108	180
RLF-330-D-**-20	140	180
RLF-660-E-**-20	182	320
RLF-950-F-**-20	220	385

2. Addition of dimension to remove element from the filter. Refer 'h5' above table and figure.
3. The clogging indicator has been designated 'VEI' – Visual and Electrical Indicator. But supplies have been regularized with electrical indicator since inception. This has been corrected to 'EI' – Electrical Indicator inline with the supplies and to avoid any confusion with customers.
- a. Enquiries for special indicators of dual – visual and electrical indicator types can be directed to our Sales and Marketing teams.



Regd. Office: No. 16-C, Doddanekundi Industrial Area,
2nd Phase, Mahadevapura, Bangalore – 560048

E-mail: marketing@yukenindia.com

Website: www.yukenindia.com

CIN No.: L29150KA1976PLC003017