

Change Notice to Return Filters series YPLF series → PLFM series



We are hereby giving notice of a change to the nomenclature and construction of our pressure line filters range, primarily used in large projects.

We are introducing the nomenclature change to keep track of a host of changes cum rationalizing of the manufacturing processes. The same mountings, reliability and performance that customers have come to expect is being maintained.

	Old Designation	New Designation
Filter	YPLF-**-**-**-10	PLFM-**-**-**-20
Element	YFE-PFG-**-**-10	EPF-**-**-20
Clog Indicator	VEI-E05-10	EI-E05-20

Note: Refer YUS-I-028, Pub:08-2023 for details

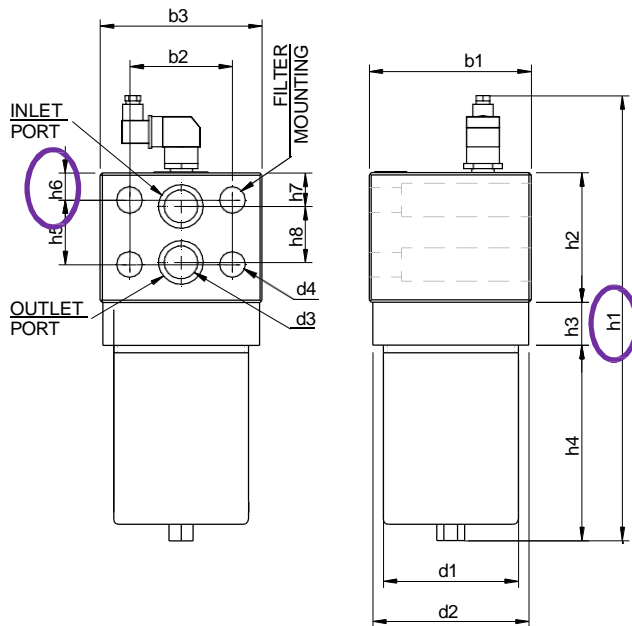
- Filter mounting on the hydraulic manifold remains same
- Filter elements remains interchangeable between YPLF and PLF series
- Form (Head or bowl sizes) of the filter might change slightly. Refer detailed engineering information sheet.

Model Number Designation

PLFM	-60	-03	-EI	-20
Series Number	Size	Filtration Rating	Clogging Indicator	Design Number
PLFM : Pressure Line Filter - Manifold Mount	30 : 30	03 : 03µm 05 : 05µm 10 : 10µm	EI : Electrical Clogging Indicator None : Without Clogging Indicator	20
	60 : 40			
	110 : 100			
	160 : 120			
	240 : 150			
	330 : 300			
	500 : 450			

Elaborating on some of the form differences in the design update, two specific points are being highlighted.

1. Difference in the head and mounting dimensions of the manifold of the PLFM-30***20D and YRLF-30***10D



Model	h1	h6
YPLF-30-M-**-*-10	267	15.5

Model	h1	h6
PLFM-30-**-*-20	280	15.5

2. The clogging indicator has been designated 'VEI' – Visual and Electrical Indicator type. But supplies have been regularized with electrical indicator only since inception. In the PLFM**20D, this has been corrected to 'EI' – Electrical Indicator inline with the supplies and to avoid any confusion with customers.
 - a. Enquiries for special indicators of dual – visual and electrical indicator types can be directed to our Sales and Marketing teams.